



SEEMAX

see the difference

Focused On High-end Projection Screen/Projector Lift/Stage Equipment

Guangzhou Cmax Smart Equipment Co.,Ltd



● NO.13 2nd,Str,Yongfeng Rd,Shawan,Panyu,
Guangzhou,China 511483
● +86(0)20-31001333
● +86(0)20-34800763
www.seemaxscreen.com

English Version

www.seemaxscreen.com

CONTENTS

Company

Company Profile	
Business Distribution	
Company Honor	

Products Introduction

Projection Screen Selection	
Control Options	
Screen Surfaces	

In-Ceiling Screen

Intelligent Motorized	1
Imagine Tensioned	2
Imagine Acoustic	3
Deluxe Motorized	4
Deluxe Tensioned	5

Wall and Ceiling Mount Screen

C.max B Motorized	6
C.max B Tensioned	7
C.max A Motorized	8
C.max A Tensioned	9
Shine A Motorized	10
Shine B Motorized	11
Picturesque Tensioned	12
Picturesque Acoustic	13
Classic Motorized	14
Classic Tensioned	15
Delicate Motorized	16

Large Venue Screen

Grandmax Tensioned	17
Grandmax Motorized	18
Grandmax Motorized G1	19
Grandmax Motorized G2	20
New F1 Series	21

Manual Pull Down Screen

Attractive Manual	22
Enjoyable Manual	23
C.max Manual	24

Fixed Frame Screen

Plain 6cm Fixed Frame	25
Highland 8cm Fixed Frame	26
Alpine 10cm Fixed Frame	27
Zero 1cm Fixed Frame	28
Zero 7mm Fixed Frame	29
Micro Perforation Acoustic	30
Highland/Alpine Curved Frame	31

ALR Screen

Radiant Motorized	32
Radiant Rimless Fixed Frame	33
Radiant 7mm Fixed Frame	34
Radiant 8cm Fixed Frame	35

E-Set Screen

E-set Fast-fold Screen	36
Heavy Duty E-set	37
Fast-fold Screen	

Portable Screen

C.max Manual Portable	38
C.max Motorized Portable	39
Stable Tripod	40

Projector Lift

Motorized Projector Lift	41
CM50/100/150	
Ultra Thin Projector Lift	
CM100D/200D	42
CM100DL/CM200DL	43
CM85V	44
Smart-X Projector Lift	
CM76X	45
CM76XE	46
Heavy-duty Telescopic	47
Projector Lift, CM420H	
S1 Projector Mount	48
S2 Projector Mount	49
S3 Projector Mount	50
Extension Bracket	51
S4 Heavy-duty Projector Mount	52
Motorized Rigging Hoists	53



COMPANY PROFILE

We started Seemax from year 2010. From the beginning, satisfying different customers' requests for projection screens and related visual products, and keeping improving our staff's life quality are the basic missions of Seemax, which drive us to move forward till today. Meanwhile, Seemax emphasize R&D and supplying more visual products to the global markets.

According to different using surroundings of projection screens, Seemax supply more than 10 kinds of screen surfaces options to make sure that you could find the optimum choice to match up with the surrounding. Besides of this, Seemax supply different designs and materials of case, fixed mount and portable screens options for different using facilities. Besides of projection screens, Seemax also supply projector and light mount systems. The projector mount product line includes fixed mount and motorized lift which could cover almost all situations. The light mount system could move safely 5 meters up and down.

Quality is the extension of the missions, Seemax strictly follow the ISO process, every Seemax screen is made by the hands of over a decade of experience manufacturing team. We provide each screen with 2 years warranty term against the defectives caused by the production and a lifetime warranty. As a Government authorized High-tech company, Seemax has a strong R&D Department, and it is a great support to the missions. We keep following the changing needs of customers for projection screens and related visual products with the help of know-how, Seemax are always focusing on adapting to the needs within the shortest time. We care about our staff's safety and health, there are clear instructions at every operating platform to show the proper working processes, and a work training is held every week. Every Seemax product is in compliance with the ROHS standard.

We believe that you could find a right product here to meet your visual request. If not, please inform us your request by sending an email to info@seemaxscreen.com, we will give you a quick response.





Business Distribution

Seemax is selling more than 50,000 pieces different products to global market per year. Our clients are mainly from major developed & developing economies and countries; Such as: United States, Europe, Australia, South America, Japan, South Korea, South Africa, Middle East, Canada, Southeast Asia, India and many more.

Company Honor

Not like others, we are always ready for challenge. This is the reason why the customers who are strict with quality or have request for new products are appreciated Seemax.

Thanks for our smart R&D team, they will make idea to real products. Thanks for ISO 2015 process, we strictly follow the process to make sure every final product is at a right quality level.

We care about human health and surrounding protection. Therefore, every product of Seemax has certificate of safety and surrounding protection.

If others refuse your request by the reason that they think it is difficult then please tell us.



Patent Certificates

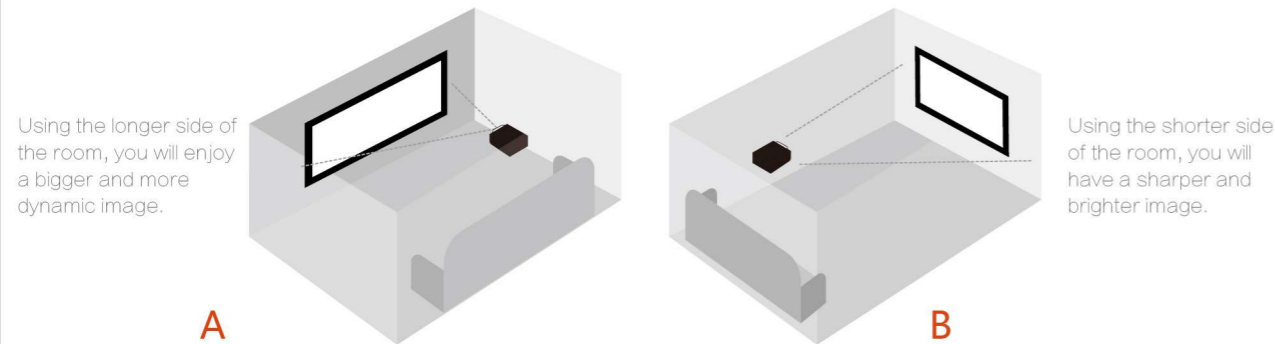
Our company has obtained national patent certifications and passed ISO 9001 Certificate.

Projection Screen Selection

To select a screen, you need to consider 3 basic factors, the size, materials and the method of installation. These factors are determined by the place where you will install the screen. Therefore the first step is to determine the space for setting up the screen.

1. Location and position of the screen

In the same room, image will be affected by how you will use the space. Using the longer side of the room provides a longer distance of projection and therefore a larger image, while a shorter side will provide you with a sharper and brighter image. This is a major consideration of determining a final product.

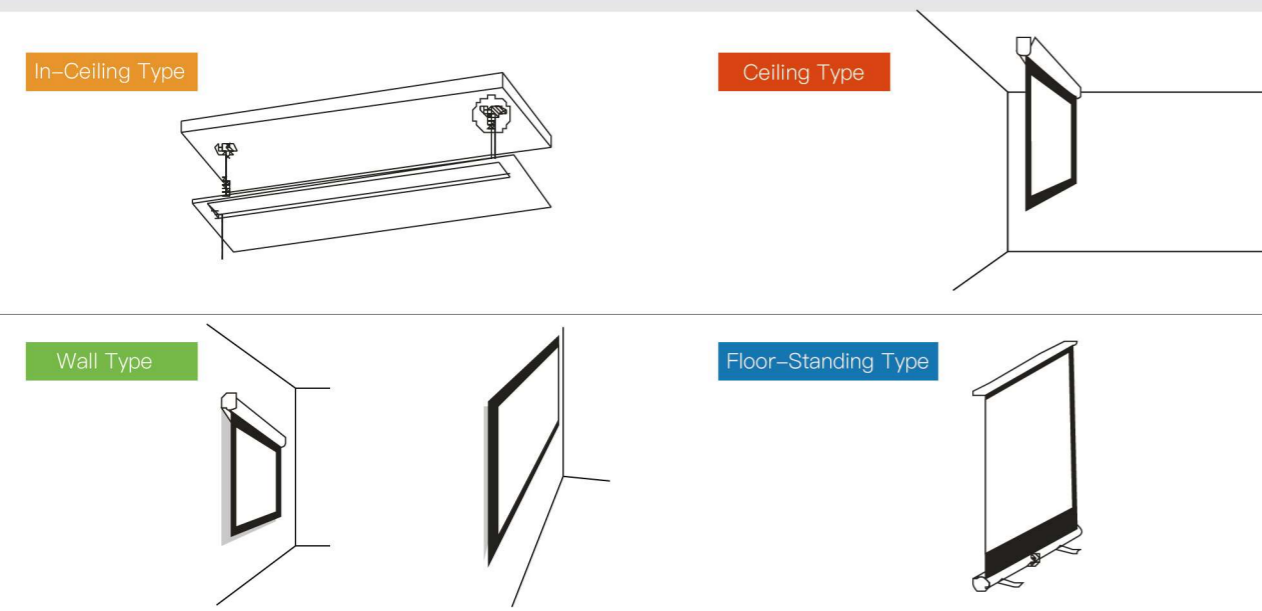


When projecting an image on the screen, shutting off all external light sources from the back of the projector can help to increase the sharpness and brightness of the image.



2. Method of installation

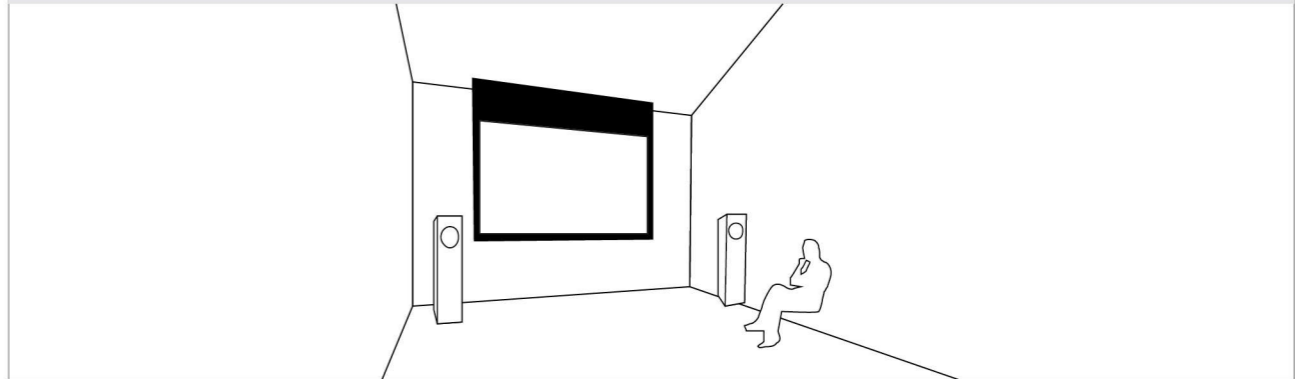
There are several methods of installation. Let's take the front projection screen for example, for fixed installation you could choose ceiling, wall or in-ceiling mounted models with either manual or motorized version, however if you find your needs are requiring to move the screen to different applications, a portable screen will be the best choice.



Projection Screen Selection

3. How to select the right size projection screen

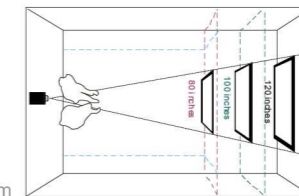
Basically the optimum screen size should be according to the following factors: the room dimensions, planned audience seatings and arrangement. From the experience, it should be adapt to the screen for the audiences, but not for the projector. Do not forget to consider the size and the position of the speakers as well. If the speakers are not installed into the wall (the acoustic screen is needed), they are usually placed on both sides of the screen, and their sizes and position must be considered initially before determining which screen size is to be used.



Seemax recommends different formula for determining screen size when using for commercial, educational and home entertainment applications.

For commercial and educational applications:

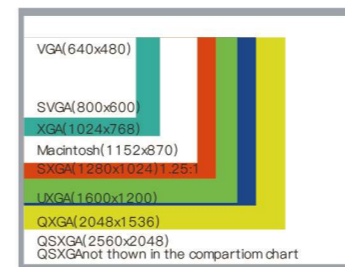
Screen height = 1/6 the distance from the screen to the last row of the seats.
 The distance from the first row of seats to the screen = 1.5 screen height.
 The distance from the bottom bar to the floor = 125cm



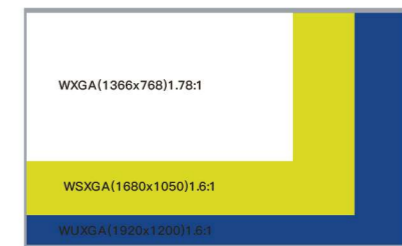
For home entertainment applications:

Screen height = 1/4 the distance from the screen to the last row of the seats.
 The distance from the first row of seats to the screen = 2 screen height.
 The distance from the bottom bar to the floor=60-90cm

Determining the screen format should subject to the projector display resolution. The relationship between the screen format and display resolution is as below charts:



High definition resolution
 HDTV uses a 1.78:1 (16:9)
 aspect ratio.
 Many movies are shot at 1.85:1
 and 2.35:1.

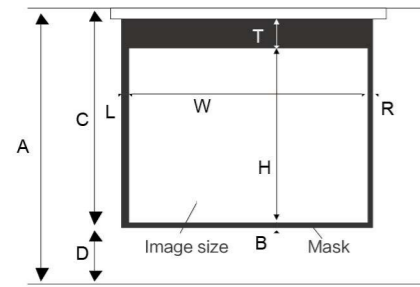


Standard resolution
 These resolutions are with a
 1.33:1 (4:3) aspect
 ratio, except for QSXGA,
 which is 1.25:1

Select the appropriate format for your projection applications. Common formats as below:

Video format	4:3	1.33:1
HD format	16:9	1.78:1
Cinemascope format	21:9	2.35:1
Wide format	16:10	1.60:1
Square format	1:1	1:1

Projection Screen Selection



- Determine top black drop of your screen:
- The ceiling height of the application.
 - Determine the appropriate viewing height according to the formula above and different applications.
 - Using subtraction way to figure out the height of the top black drop.

4. Choose the right screen surface for your viewing requirement

Three factors play an important role in selecting a projection screen surface: ambient light levels, projector performance (output) and the placement of the projector. These variables need to be tuned to each other in order to create an optimum display. In common, the properties of a projection screen surface are expressed in terms of gain and viewing angle.

Gain: It is a measure of reflection performance. The universal reference standard gain 1.0 is the measurement of reflection from MgCO₃, to make it simple, universally taking surface of Matte White with measured gain of 1.0.

Viewing angle: The viewing angle of a projection screen surface indicates the maximum angle at which the projected image is still clearly visible. The brightness of the image decreases as the viewing angle increases in relation to the axis of the image. At the point which the viewer perceives less than 50% of the luminous intensity of the image, we call it the maximum viewing angle. Commonly, the bigger the gain is, the less the viewing angle will get.

In order to perceive the image clearly, a certain degree of image brightness is required. In common, footlambert is used to measure the amount of light that is reflected off a screen fabric, the formula is as below:

$$\text{FOOT LAMBERT} = \frac{\text{ANSI Lumens}}{\text{Screen surface area in ft}^2} \times \text{gain}$$

As a general guideline, in normal ambient light conditions, the quantity of light that comes from the projection screen needs to be about 20fl. In conditions of low ambient light (home cinema) the fl value of the screen needs to be about 12. Normally the fl value comes from TV set is at 40 to 50.

Types of projection screen surface

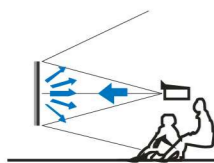
Diffusion: A diffusion projection screen surface scatters light evenly to all directions and have a very wide viewing angle. This screen surface achieves a gain of close to thenormal value of 1.0.

Reflective: A reflective projection screen surface reflects the projected light in a beam to the opposite angle of coming in and the angle of incidence is the same as the angle of reflection. It reduces the viewing angle but increases the gain.

Retro-Reflective: A retro-reflective projection screen surface reflects the projected light back in the direction from which it comes. It reduces the viewing angle but increases the gain.

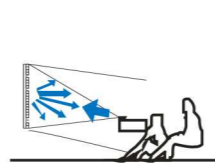
Diffusion Transmissive (Rear projection): It is suitable for that the projected light is from the back of the surface, and transmitted to the audience side.

Diffusion Type



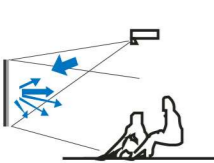
Even if the projector is suspended from the ceiling, or stands on floor/lower surface, a diffusion type produces bright and sharp images.

Retro-Reflective Type



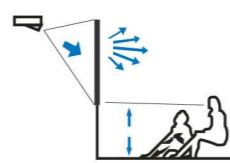
Retro-Reflective Type returns light back to the same direction and therefore it is suitable when the projector stands on the floor or lower than the screen surface.

Reflective Type



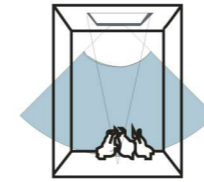
Reflective Type reflects light in an opposite direction and therefore it is well-suited when projectors are suspended from the ceiling.

Diffusion Transmissive Type

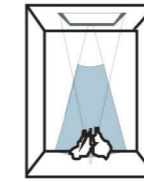


Transmissive projection screen surface is suitable for that the projected light is from the back of the surface, and transmitted to the audience side.

Projection Screen Selection



Diffusive Type gives the widest range of reflected light, as a result, it's suitable for applications with a large number of audiences.



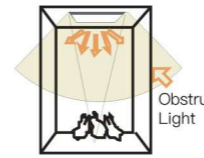
Reflexive Type gives a condensed range of reflected light, but enables a sharp and brighter image in a specified direction.



Reflexive Type strikes a good balance between the reflection strength and range of reflected light.



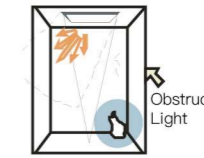
Reflexive Type reflects light in an opposite direction and therefore it's well-suited when projectors are suspended from the ceiling.



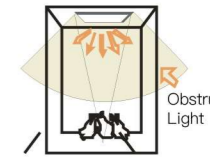
Diffusive Type reflects the external light in a wide angle and therefore it's more effective in reducing the undesirable effects.



Reflexive Type reflects external light in the same angle and therefore it's recommended when an external light enters the room from the opposite side to the viewer's position.



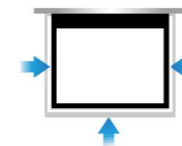
Reflexive Type reflects the external light in an opposite direction and therefore it's recommended when an external light enters into the room from the same side of the viewer's position.



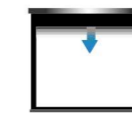
Reflexive Type reflects the light in an opposite direction and therefore it's well-suited when the projectors are suspended from the ceiling.

Customize your screen from our standard range

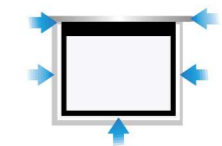
If you are unable to find exactly the right screen for your need in Seemax's current ranges of this catalogue, we are ready to build to the project specifications in accordance with your specified requirements. Practically any projection screen you found in this catalogue can be customized. Please select from any of the following options:



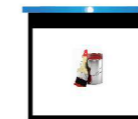
Shorten or reduce the width or height of the projection screen materials.



Requiring the projection screen materials with an additional black border. When the projection screen fabric needs to be extended and a larger black border is required at the top or bottom, we adapt the surface to your specifications.



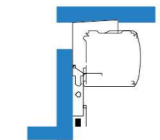
Shorten the case and shorten or reduce the width or height of the projection screen fabric.



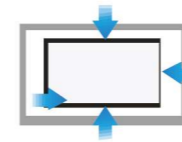
Paint the case, low bar and plastic components in a specified color. If you need a screen to match up with a specific color scheme, we can paint them according to your requirements.



Silent Motor
Specify the Silent Motor option when an extra silent operation of the electric projection screen is required. Available for: Imagine Tab-Tensioned, Imagine Acoustic, Intelligent, Shine Model, Picturesque, Picturesque Acoustic etc.



When the projection screen has to be installed in situation that the projective path is obstructive or behind a beam, the screen materials should come out reversely to adapt to the audience. We can paste the screen materials upsidedown.



Shorten and modify the frames and the screen materials for fixed frame screens to meet with the installation demands.



If the customer requires a longer screen materials and it's workable for us, Seemax can provide such services to lengthen the length according to the requirement, projection fabric in the case.



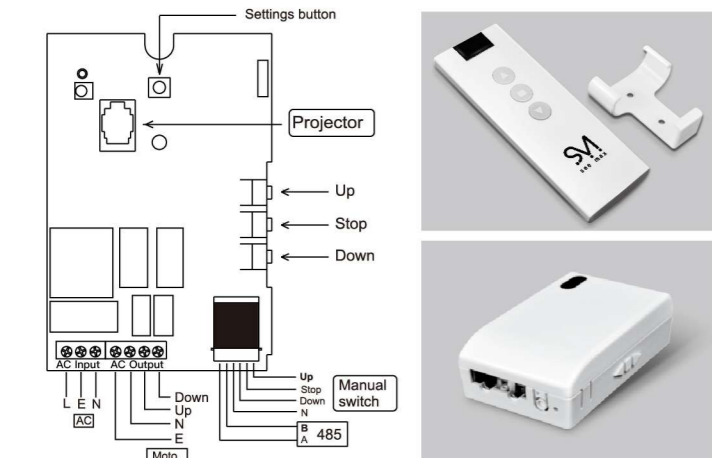
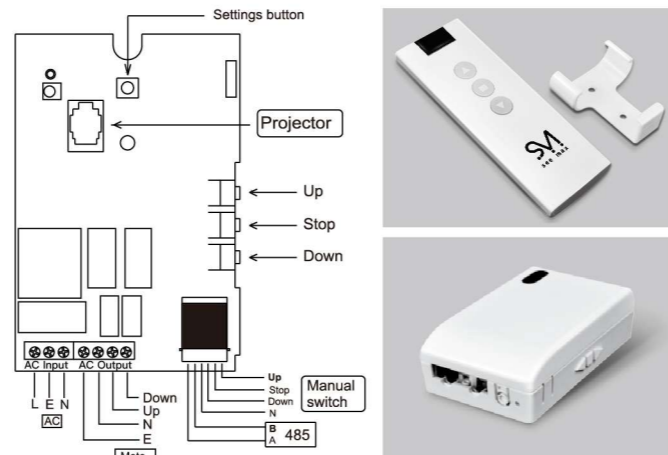
Paint the frame of the fixed frame screen to a different color.

Control Options

Infrared Wireless Remote – Single Motor LVEC-IR

External IR Control Set – For all Seemax single motor electric screens, functions included:

- Up/Stop/Down buttons
- 12V in-line trigger and RS232
- Can be connected with wall switch (RS485)
- IR Remote Controller (Effective range: 8 meters)



Radio Frequency Wireless Remote – Single Motor LVEC-RF

External RF Control Set – For all Seemax single motor electric screens, functions included:

- Up/Stop/Down buttons
- 12V in-line trigger and RS232
- Can be connected with wall switch (RS485)
- RF Remote Controller (Effective range: 30 meters)

Smart Control System (BSC-IR+RF)

Smart Control System, a new control solution designed to provide greater flexibility for system integrators and asset management capabilities for information technology professionals. Using a built-in integrated Infrared plus radio frequency PCB, the Smart Control System is integrated with RS232 control/relay control, manual switch, in-line 12v trigger and optional wireless 12v trigger. The screen could be controlled by the projector, computer, central control, dry contact and allowing for greater flexibility in the control demands.



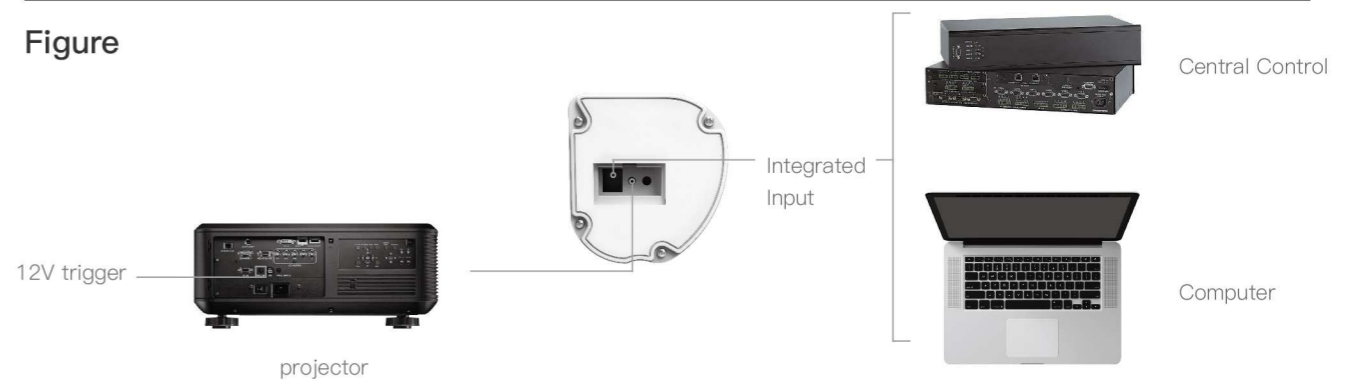
Control Options

Smart Control System BSC-IR



Smart Control System, a new control solution designed to provide greater flexibility for system integrators and asset management capabilities for information technology professionals. Using a built-in Infrared PCB, the Smart Control System is integrated with RS232 control/relay control, manual switch, in-line 12V trigger. The screen could be controlled by the projector, computer, central control, dry contact and allowing for greater flexibility in the control demands.

Figure



12V Wireless Synchro Relay (Flylink-01)

The Flylink-01 could work with any Radio Frequency (RF) receiver of Seemax products no matter it is an internal control receiver like BSC-IR+RF or external like LVEC-RF. The combination of two units creates a clever control solution for a trouble-free projection screen operation for any of projectors which owns a 12V trigger jack or not. It does the job easily just turn the projector on and the Flylink-01 triggers the screen to roll down, and when the projector is turned off, the screen automatically retracts back.

12V Wireless Trigger (Flylink-02)

The Flylink-02 could work with any Radio Frequency (RF) receiver of Seemax products no matter it is an internal control receiver like BSC-IR+RF or external like LVEC-RF. The combination of two units creates a clever control solution for a trouble-free projection screen operation for any of projectors which owns a 12V trigger jack. It does the job easily just turn the projector on and the Flylink-02 triggers the screen to roll down, and when the projector is turned off, the screen automatically retracts back.



IP control

IP control box could translate IP address code to RS232 code, with the box you could easily control all Seemax products equipped with RS232 control function.

Matte White

PVC coated based on fiber-glass, white front and black back, maximum W5000mm, the surface is very flat and distributes light over a wide viewing area to ensure a wide viewing angle. It's one of the most popular used screen surfaces and a good choice for applications where the ambient light is controllable. Colors remain bright and life-like, with no shifts in hue. Flame retardant and mildew resistant. Viewing Angle: 160° Gain: 1.0

Suitable for Non-Tensioned Screens and Manual screens



Matte Grey

PVC coated based on fiber-glass, grey front and black back, maximum W2438mm, the surface is very flat and distributes light over a wide viewing area to ensure a wide viewing angle. This screen surface is a great choice where the ambient light is moderately controlled. With its special design, grey base material and reflective surface coating, this screen material is able to provide very good black levels without sacrificing the white level output. Flame retardant and mildew resistant.

Viewing Angle: 160° Gain: 0.8

Suitable for Non-Tensioned Screens and Manual screens



Matte White 280

PU coated based on fiber-glass, white front and black back, maximum W2400mm. The screen surface is specially coated with micro glass beaded, as a result, it could provides the optical characteristics of a traditional glass beaded surface to increase the gain to 2.8 but it does not reflect back the projected light but distribute the projected light and could be cleaned when necessary. This surface is the best choice for situations where there is a moderate amount of ambient light or using 4K HDR projector. Flame retardant and mildew resistant. Viewing Angle: 100° Gain: 2.8

Suitable for Non-Tensioned Screens and Fixed Frame Screens



Matte Grey 180

PU coated based on fiber-glass, grey front and black back, maximum W2400mm. With its specially designed grey base material and micro glass beaded coating, the screen surface provides both an increased amount of brightness and a very good black levels without sacrificing the white level output. Flame retardant and mildew resistant. Viewing Angle: 100° Gain: 1.8

Suitable for Non-Tensioned Screens and Fixed Frame Screens



Pure White

A pure smooth, white vinyl finish screen fabric, white front and black back maximum W4600mm. The screen surface provides an exceptionally wide viewing angle at 160° and no resolution loss at any viewing angle, which is foldable and rollable. It is a great choice for applications with good control over the ambient. An exceptionally wide viewing angle is necessary. Screen surface can be cleaned with mild soap and water. Flame retardant and mildew resistant. Viewing Angle: 160° Gain: 1.0

Suitable for Fixed Frame screens



HD 100

An 80 micron non supported vinyl fabric, white front and black back maximum W3000mm. The screen surface has much more two by twice optical microgrooves and a millimicron white layer on the surface for precise image reproduction and no color shift to create a true high definition image to match your request of more film like. This screen fabric offers excellent depth of modulation for even the most demanding high definition projection devices. Screen surface can be cleaned with mild soap and water. Flame retardant and mildew resistant. Viewing Angle: 160° Gain: 1.0

Suitable for Tensioned Screens and Fixed Frame screens



HD130E

HD130E is a front projection material, maximum width is 3048mm, providing a wide viewing angle, high contrast and bright picture in a wide variety of viewing environments.

Suitable for Tensioned Screens and Fixed Frame screens



HD130

Reference HD130 is a front projection material with a bright punch, providing a wide viewing angle, high contrast and a bright picture in a wide variety of viewing environments.

Viewing Angle: 160° Gain: 1.3

Suitable for Tensioned Electric and Fixed Frame screens



Pure Grey

A pure smooth, grey vinyl finish screen fabric, grey front and black back maximum W3200mm. With its special design grey base material and reflective surface, this screen material is able to provide very good black levels without sacrificing the white level output to achieve deep life-like colors, greater details and sharpness to the image. It's a best choice to use when there is good control of ambient light and a moderately wide viewing angle is desired. Screen surface can be cleaned with mild soap and water. Flame retardant and mildew resistant.

Viewing Angle: 160° Gain: 0.8

Suitable for Fixed Frame screens



HD Grey 150

A pure smooth, grey vinyl finish screen fabric, grey front and grey back, maximum W3048mm, viewing angle is up to 100°, with its special design grey base material and reflective surface, this screen material is able to provide very good black levels without sacrificing the white level output to achieve deep life-like colors, greater details and sharpness to the image. It's a best choice to use when there is good control of ambient light and a moderately wide viewing angle is desired. The screen surface can be cleaned with mild soap and water.

Suitable to Tensioned Screens and Fixed Frame screens.



HD Grey 80

A pure smooth, white vinyl finish screen fabric, grey front and grey back. With its special design grey base material and reflective surface, this screen material is able to provide very good black levels without sacrificing the white level output to achieve deep life-like colors and greater details and sharpness to the image, suitable for 4K projector, wide viewing angle. Screen surface can be cleaned with mild soap and water. Viewing Angle: 160° Gain: 0.8

Suitable for Tensioned screens and Fixed Frame screens



HD Grey 70

It's a pure smooth and grey vinyl screen materials. The characteristic grey coating makes an excellent light absorption, keeps the original white, enhance the black and to a septuple contrast. Wide viewing angle ensures the high definition output without any resolution reduction. could present the 4K & 8K image perfectly. Viewing Angle: 160° Gain: 0.7

Suitable for Tensioned screens and Fixed Frame screens



3D Optical

Silver optical surface coated based on PVC, silver front and black back, maximum W3000mm. It is specially made for passive 3D and active 3D use. The material is rollable, gain is at 2.5 washable, mildew resistant. Viewing Angle: 120° Gain: 2.5

Suitable for Tensioned screens and Fixed Frame screens



HD Rear

A neutral grey coating PVC material, maximum W3000mm. It provides contrast enhancement while no color shift, a good choice for situations with good control over ambient light and where a wide viewing angle is necessary. It is also well suited for high resolution applications. Screen surface can be cleaned with mild soap and water. Flame retardant and mildew resistant.

Viewing Angle: 120° Gain: 1.0

Suitable for Tensioned Screens and Fixed Frame screen



Dual Vision

A special coating PVC material, maximum W2400mm. Different from normal rear screen material, this unique designed material is for viewing projected image on both side of the material, large viewing angle and without sparkles.

Viewing Angle: 180° Gain: 0.8

Suitable for Tensioned Screens and Fixed Frame screen



Clear Black

The screen fabric is with a good performance in absorbing exterior light which makes present a vivid and sharp projection effect while in ambient light surroundings. With the ambient light absorbing structure, it can improve the projection effect of the perspective line from the projector.

Country of Origin: Japan

Suitable for Electric and Fixed Frame screens



Acoustic Perf HD130

Acoustic Perf HD130 is a white front PVC fabric, maximum width is 2400mm, providing with wide viewing angle, high gain and bright picture in a variety of viewing environments.

Gain:1.3 Viewing angle :160° Thickness: 0.35mm Perforation size: 0.4mm Density: 5.89% Perforation/m²: 30000 Acoustic transparency: -2.5dB~-5.0dB (8KHz-16KHz)



Suitable for Tensioned Screens and Fixed Frame screens

Acoustic Perf HD Grey 70

It's a pure smooth and grey vinyl screen materials. The characteristic grey coating makes an excellent light absorption, keeps the original white meanwhile enhances the black to a septuple contrast. Wide viewing angle ensures the high definition output without any resolution reduction. 0.4mm perforated size and 5.89% density provide an excellent sound transmission effect, especially for the mid-high audio frequency.

Gain:0.7 Viewing angle:160° Thickness:0.35mm Perforation Size: 0.4mm Perforated density: 5.89% Perforation/m²: 300,000

Acoustic transparency:-2.5dB~-5.0dB(8KHz-16KHz) Ambient Resistance:3/10

Suitable for Tensioned Screens and Fixed Frame screens



Acoustic Woven A

PVC coated based on the fiber-glass, pure white, maximum W3000mm, a designed additional black acoustic material is needed when using this fabric. This surface is designed to allow the speakers to be installed behind the screen, and achieve a more realistic soundstage.

On-axis Gain: 0.95 Viewing Angle: 160° Video Transparency: 3%

Video Transparency (incl BB layer): 0.5% Acoustic Transparency: -2.5db (10kHz-20kHz)

Acoustic Transparency (incl BB layer): -2.5db (10kHz-20kHz)

Suitable for Tensioned Screens and Fixed Frame screens



Acoustic Woven C

PVC coated based on fiber-glass, white front and white back, maximum W2400mm, a designed additional black acoustic material is needed when using this fabric. This surface is designed to allow the speakers to be installed behind the screen, and achieve a more realistic soundstage. Without sound loss virtually and a good image quality, this fabric provides a good performance both in sound and image. Screen surface can be cleaned with mild soap and water. Flame retardant and mildew resistant. Viewing Angle: 160° Gain: 1.0

Suitable for Fixed Frame screens





Intelligent Motorized

Solid structure – Handsome white case presents a solid structure and clean look.

Easy installation – Specially designed brackets make it easy to install in all kinds of ceilings. Designed to have the screen installed during the “rough-in” stages or the finished stages.

Motor in roller design – Special motor in roller design maintains a quiet and smooth operation.

Unique roller design ensures the flattest screen surface – Large diameter roller ensures a long-term screen integrity and consistent flat projection surface.

Equipped with standard 3 button in-line switch – All Seemax control systems are available for this model screen. For detailed information please refer to pages “Control Options”.

Screen selection – Matte White/Matte Grey/Matte White 280/Matte Grey 180

Start by cutting a hole in your false ceiling as below



A total length of the casing including end cover plates (as shown above)

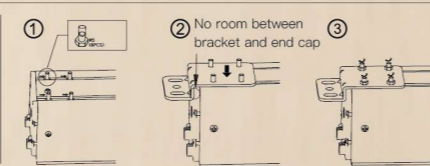


Length of cut-out = A-20mm
width of cut-out = 140mm for any size of the casings

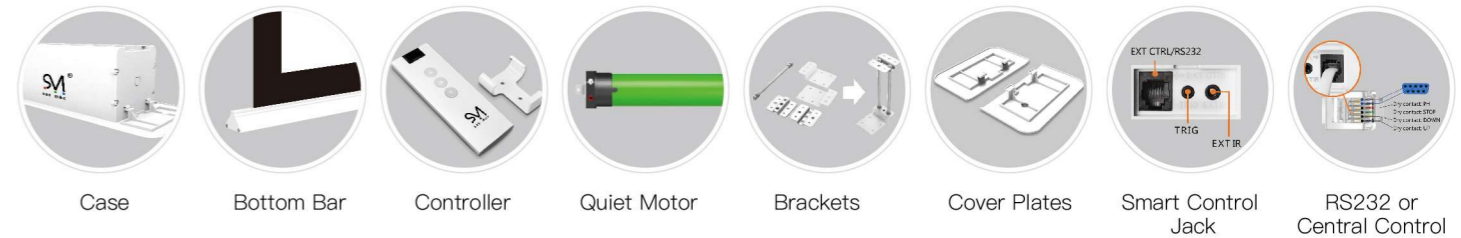
Measure and mark the place of fixing brackets



Distance between center of fixing brackets = A-116mm distance between center point of holes at fixing bracket=48mm(as shown above)



Intelligent Motorized



Format	Spec	Viewing area(mm)			Black drop(mm)			Case size(mm)			Package(mm)			Dimensions
		W	H	T	B	L/R	A	D	H2	L	W	H		
4:3	72"	1460	1100	410	50	50	1744	160	114	2121	190	200		
	84"	1704	1278	220	50	50	1988	160	114	2365	190	200		
	100"	2030	1520	210	50	50	2314	160	114	2691	190	200		
	120"	2340	1755	80	50	50	2624	160	114	3001	190	200		
	150"	3048	2286	80	50	50	3332	160	114	3709	190	200		
16:9	65"	1460	820	960	50	50	1744	160	114	2121	190	200		
	77"	1704	958	810	50	50	1988	160	114	2365	190	200		
	92"	2030	1145	630	50	50	2314	160	114	2691	190	200		
	100"	2214	1245	530	50	50	2498	160	114	2875	190	200		
	106"	2340	1320	460	50	50	2624	160	114	3001	190	200		
	120"	2656	1494	290	50	50	2940	160	114	3317	190	200		
16:10	133"	3048	1715	360	50	50	3332	160	114	3709	190	200		
	67"	1460	900	870	50	50	1744	160	114	2121	190	200		
	77"	1704	1065	710	50	50	1988	160	114	2365	190	200		
	93"	2030	1268	510	50	50	2314	160	114	2691	190	200		
	103"	2214	1384	390	50	50	2498	160	114	2875	190	200		
	109"	2340	1462	310	50	50	2624	160	114	3001	190	200		
123"	2656	1660	200	50	50	2940	160	114	3317	190	200			
136"	3048	1905	200	50	50	3332	160	114	3709	190	200			

Installation

Sizes and specifications are subject to change without notice.



Imagine Tensioned

Solid structure – Handsome white case presents a solid structure and clean look.

Easy installation – Specially designed brackets make it easy to install in all kinds of ceilings. Designed to have the screen installed during the “rough-in” stages or the finished stages.

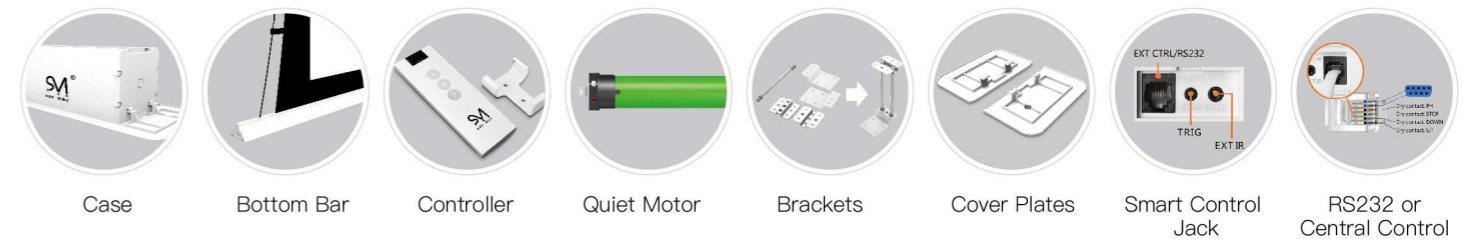
Motor in roller design – Special motor in roller design maintains a quiet and smooth operation.

Unique roller design ensures the flattest screen surface – Large diameter roller ensures a long-term screen integrity and consistent flat projection surface.

Equipped with standard 3 button in-line switch – All of Seemax control systems are available for this model screen. For detailed information please refer to pages “Control Options”.

Screen selection – HD100/HD Grey 80/HD130E/HD Grey 150/HD130/HD Grey 70/3D Optical/HD Rear/Dual Vision

Imagine Tensioned



Format	Spec	Viewing area(mm)			Black drop(mm)			Case size(mm)			Package(mm)			Dimensions
		W	H	T	B	L/R	A	D	H	L	W	H		
4:3	84"	1704	1278	400	100	130	2228	160	114	2605	190	200		
	100"	2030	1520	400	100	130	2554	160	114	2931	190	200		
	120"	2340	1755	400	100	130	2864	160	114	3241	190	200		
	150"	3048	2286	400	100	130	3572	160	114	3949	190	200		
16:9	77"	1704	958	400	100	130	2228	160	114	2605	190	200		
	92"	2030	1145	400	100	130	2554	160	114	2931	190	200		
	100"	2214	1245	400	100	130	2738	160	114	3115	190	200		
	106"	2340	1320	400	100	130	2864	160	114	3241	190	200		
	120"	2656	1494	400	100	130	3180	160	114	3557	190	200		
	133"	3048	1715	400	100	130	3572	160	114	3949	190	200		
16:10	77"	1704	1065	400	100	130	2228	160	114	2605	190	200		
	93"	2030	1268	400	100	130	2554	160	114	2931	190	200		
	103"	2214	1384	400	100	130	2738	160	114	3115	190	200		
	109"	2340	1462	400	100	130	2864	160	114	3241	190	200		
	123"	2656	1660	400	100	130	3180	160	114	3557	190	200		
	136"	3048	1905	400	100	130	3572	160	114	3949	190	200		

Sizes and specifications are subject to change without notice.



Imagine Acoustic

Solid structure – Handsome white case presents a solid structure and clean look.

Easy installation – Specially designed brackets make it easy to install in all kinds of ceilings. Designed to have the screen installed during the “rough-in” stages or the finished stages.

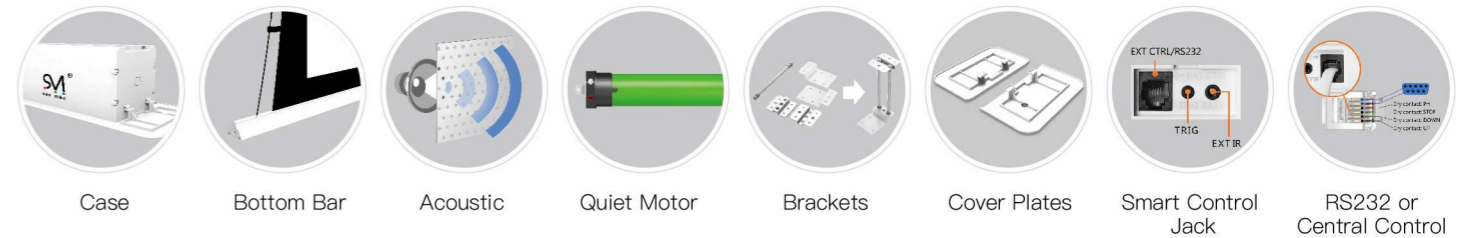
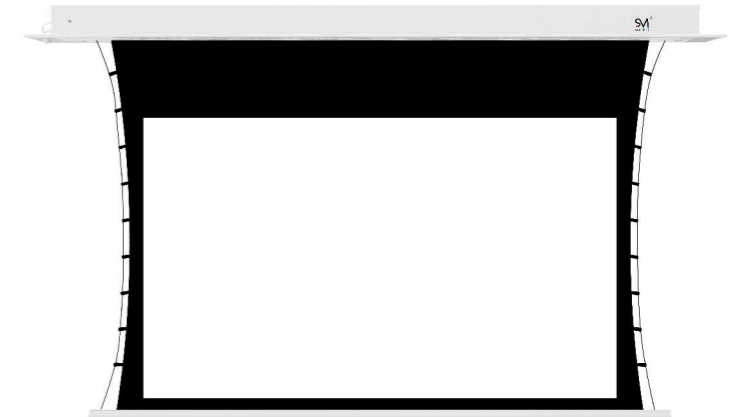
Motor in roller design – Special motor in roller design maintains a quiet and smooth operation.

Unique roller design ensures the flattest screen surface – Large diameter roller ensures a long-term screen integrity and consistent flat projection surface.

Equipped with standard 3 button in-line switch – All of Seemax control systems are available for this model screen. For detailed information please refer to pages “Control Options”.

Screen selection – Acoustic Perf HD130/Acoustic Perf HD Grey 70

Imagine Acoustic



Format	Spec	Viewing area(mm)			Black drop(mm)			Case size(mm)			Package(mm)			Dimensions
		W	H		T	B	L/R	A	D	H	L	W	H	
4:3	84"	1704	1278		400	100	130	2228	160	114	2605	190	200	
	100"	2030	1520		400	100	130	2554	160	114	2931	190	200	
	120"	2340	1755		400	100	130	2864	160	114	3241	190	200	
	150"	3048	2286		400	100	130	3572	160	114	3949	190	200	
16:9	77"	1704	958		400	100	130	2228	160	114	2605	190	200	
	92"	2030	1145		400	100	130	2554	160	114	2931	190	200	
	100"	2214	1245		400	100	130	2738	160	114	3115	190	200	
	106"	2340	1320		400	100	130	2864	160	114	3241	190	200	
	120"	2656	1494		400	100	130	3180	160	114	3557	190	200	
	133"	3048	1715		400	100	130	3572	160	114	3949	190	200	
16:10	150"	3320	1868		400	100	130	3844	160	114	4221	190	200	
	77"	1704	1065		400	100	130	2228	160	114	2605	190	200	
	93"	2030	1268		400	100	130	2554	160	114	2931	190	200	
	103"	2214	1384		400	100	130	2738	160	114	3115	190	200	
	109"	2340	1462		400	100	130	2864	160	114	3241	190	200	
16:10	123"	2656	1660		400	100	130	3180	160	114	3557	190	200	
	123"	2656	1660		400	100	130	3180	160	114	3557	190	200	
	136"	3048	1905		400	100	130	3572	160	114	3949	190	200	

Sizes and specifications are subject to change without notice.



Deluxe Motorized

Solid structure – Strong white case presents a solid structure and clean look.

Easy installation – Specially designed brackets make it easy to install in all kinds of ceilings. Designed to have the screen installed during the "rough-in" stages or the finished stages.

Patented Dual-motor Structure – One motor is for controlling the movement of screen materials, the other is for controlling the trap door's open/close to realize a tight and flat aesthetic closure appearance.

Unique Roller Design – Large diameter roller ensures a long-term screen integrity and consistent flat projection surface.

Control System – Built-in IR/RF/RS232/RS485/12V Trigger/IP

Screen selection – Matte White/Matte Grey/Matte White 280/Matte Grey 180

Deluxe Motorized



Format	Spec	Viewing area(mm)		Black drop(mm)			Case size(mm)			Package(mm)			Dimensions
		W	H	T	B	L/R	A	D	H	L	W	H	
4:3	100"	2032	1520	210	50	50	2358	218	172	2663	300	250	
	120"	2340	1755	80	50	50	2764	218	172	3069	300	250	
	130"	2642	1981	80	50	50	2968	218	172	3273	300	250	
	150"	3048	2286	80	50	50	3374	218	172	3679	300	250	
	180"	3658	2743	80	50	50	3984	218	172	4284	300	250	
200"	4064	3048	80	50	50	4390	218	172	4690	300	250		
16:9	100"	2214	1245	530	50	50	2540	218	172	2845	300	250	
	110"	2435	1370	530	50	50	2761	218	172	3066	300	250	
	120"	2656	1494	290	50	50	2982	218	172	3287	300	250	
	130"	2878	1619	290	50	50	3204	218	172	3509	300	250	
	135"	2989	1681	290	50	50	3315	218	172	3620	300	250	
	150"	3320	1868	200	50	50	3647	218	172	3952	300	250	
	180"	3984	2240	200	50	50	4311	218	172	4611	300	250	
200"	4428	2491	200	50	50	4754	218	172	5054	300	250		
16:10	100"	2154	1346	200	50	50	2480	218	172	2785	300	250	
	109"	2340	1463	200	50	50	2666	218	172	2971	300	250	
	120"	2585	1615	200	50	50	2911	218	172	3216	300	250	
	123"	2656	1660	200	50	50	2982	218	172	3287	300	250	
	150"	3231	2019	200	50	50	3557	218	172	3862	300	250	
	180"	3877	2423	200	50	50	4203	218	172	4503	300	250	
200"	4308	2692	200	50	50	4634	218	172	4934	300	250		

Sizes and specifications are subject to change without notice.



Deluxe Tensioned

Solid Structure – Strong white case presents a solid structure and clean look.

Easy installation – Specially designed brackets make it easy to install in all kinds of ceilings. Designed to have the screen installed during the "rough-in" stages or the finished stages.

Patented Dual-motor Structure – One motor is for controlling the movement of screen materials, the other is for controlling the trap door's open/close to realize a tight and flat aesthetic closure appearance.

Unique Roller Design – Large diameter roller ensures a long-term screen integrity and consistent flat projection surface.

Self-tightening System–The self-tightening system is utilized on both sides of the screen materials to adjust the tightness with the adjusting knob.

Control System – Built-in IR/RF/RS232/RS485/12V Trigger/IP

Screen selection – HD100/HD Grey 80/HD130E/HD Grey 150/HD130/HD Grey 70/3D Optical/HD Rear/Dual Vision/Acoustic Woven A/Acoustic Perf HD130/Acoustic Perf HD Grey 70

Deluxe Tensioned



Format	Spec	Viewing area(mm)		Black drop(mm)		Case size(mm)			Package(mm)		Dimensions		
		W	H	T	B	L/R	A	D	H	L		W	H
4:3	100"	2032	1520	400	100	130	2584	218	172	2889	300	250	
	120"	2340	1755	400	100	130	2892	218	172	3197	300	250	
	130"	2642	1981	400	100	130	3194	218	172	3499	300	250	
	150"	3048	2286	400	100	130	3594	218	172	3899	300	250	
	180"	3658	2743	400	100	130	4204	218	172	4504	300	250	
200"	4064	3048	400	100	130	4610	218	172	4910	300	250		
16:9	100"	2214	1245	400	100	130	2766	218	172	3065	300	250	
	110"	2435	1370	400	100	130	2987	218	172	3286	300	250	
	120"	2656	1494	400	100	130	3208	218	172	3507	300	250	
	130"	2878	1619	400	100	130	3430	218	172	3729	300	250	
	135"	2989	1681	400	100	130	3541	218	172	3840	300	250	
	150"	3320	1868	400	100	130	3867	218	172	4172	300	250	
	180"	3984	2240	400	100	130	4531	218	172	4831	300	250	
200"	4428	2491	400	100	130	4974	218	172	5274	300	250		
16:10	100"	2154	1346	400	100	130	2706	218	172	3011	300	250	
	109"	2340	1463	400	100	130	2892	218	172	3197	300	250	
	120"	2585	1615	400	100	130	3137	218	172	3442	300	250	
	123"	2656	1660	400	100	130	3411	218	172	3513	300	250	
	150"	3231	2019	400	100	130	3777	218	172	4082	300	250	
	180"	3877	2423	400	100	130	4423	218	172	4723	300	250	
	200"	4308	2692	400	100	130	4854	218	172	5154	300	250	

Sizes and specifications are subject to change without notice.

C.max B Motorized



C.max B Motorized

Easy installation- Adjustable floating L-brackets make ceiling or wall installation extremely easy.

Stylish and durable - The alloy aluminum outer case is stylish and durable, available in white or black color. The slim bottom bar will retract into the case as a cover.

Motor in roller design - Special motor in roller design maintains a quiet and smooth operation.

Equipped with quiet motor - Equipped with a quiet motor for quiet operation.

Custom-made size - Screen fabric has a black border all around. Standard large upper black drop for format at 16:9 and 2.35:1,

Customer-required format or black border is acceptable.

Equipped with standard 3 button in-line switch - All Seemax control systems are available for this model screen. For detailed information please refer to page 12-13 Control options

Screen selection - Matte White/Matte Grey/Matte White 280/Matte Grey 180



Format	Spec	Viewing area(mm)		Black drop(mm)			Case size(mm)			Package(mm)		Dimensions	
		W	H	T	B	L/R	A	D	H	L	W		H
4:3	72"	1460	1100	80	50	50	1725	104	113	2052	158	165	
	84"	1704	1278	80	50	50	1969	104	113	2296	158	165	
	100"	2030	1520	80	50	50	2295	104	113	2622	158	165	
	120"	2340	1755	80	50	50	2605	104	113	2932	158	165	
16:9	65"	1460	820	890	50	50	1725	104	113	2052	158	165	
	77"	1704	958	740	50	50	1969	104	113	2296	158	165	
	92"	2030	1145	670	50	50	2295	104	113	2622	158	165	
	100"	2214	1245	460	50	50	2479	104	113	2806	158	165	
	106"	2340	1320	410	50	50	2605	104	113	2932	158	165	
	110"	2435	1370	300	50	50	2700	104	113	3027	158	165	
120"	2656	1494	230	50	50	2921	104	113	3248	158	165		
16:10	67"	1460	900	810	50	50	1725	104	113	2052	158	165	
	79"	1704	1065	740	50	50	1969	104	113	2296	158	165	
	93"	2030	1268	440	50	50	2295	104	113	2622	158	165	
	103"	2214	1384	320	50	50	2479	104	113	2806	158	165	
	109"	2340	1463	240	50	50	2605	104	113	2932	158	165	
	123"	2656	1660	200	50	50	2921	104	113	3248	158	165	

Sizes and specifications are subject to change without notice.

C.max B Tensioned



C.max B Tensioned

Self-tightening system – Both sides of screen utilize a self-tightening system that helps eliminate the “V” shape in the middle of the screen. This ensures that the screen is as flat and level as a mirror.

Easy installation – Adjustable floating integrated L-brackets make ceiling or wall installation extremely easy.

Stylish and durable – The alloy aluminum outer case is stylish and durable, available in white or black color.

Unique roller design – Large diameter roller ensures a long-term screen integrity and provide with a consistent flat projection surface.

Equipped with quiet motor – Equipped with a quiet motor for quiet operation.

Equipped with standard 3 button in-line switch – All Seemax control systems are available for this model. For detailed information please refer to pages “Control Options”.

Screen selection – HD100/HD Grey 80/HD130E/HD Grey 150/HD130/HD Grey 70/3D Optical/HD Rear/Dual Vision



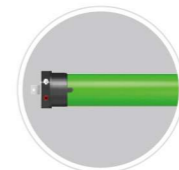
Case



Self-tightening
(Patent No: CN206353242U)



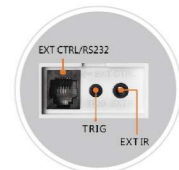
Controller



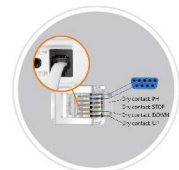
Quiet Motor



Brackets



Smart Control Jack



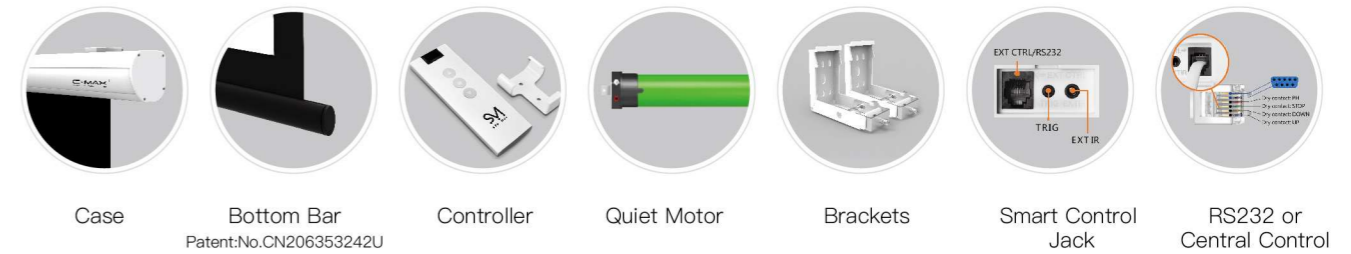
RS232 or Central Control

Format	Spec	Viewing area(mm)		Black drop(mm)			Case size(mm)			Package(mm)		Dimensions	
		W	H	T	B	L/R	A	D	H	L	W		H
4:3	72"	1460	1100	400	80	130	1965	104	113	2292	158	165	
	84"	1704	1278	400	80	130	2209	104	113	2536	158	165	
	100"	2030	1520	400	80	130	2535	104	113	2862	158	165	
	120"	2340	1755	400	80	130	2845	104	113	3172	158	165	
16:9	65"	1460	820	400	80	130	1965	104	113	2292	158	165	
	77"	1704	958	400	80	130	2209	104	113	2536	158	165	
	92"	2030	1145	400	80	130	2535	104	113	2862	158	165	
	100"	2214	1245	400	80	130	2719	104	113	3046	158	165	
	106"	2340	1320	400	80	130	2845	104	113	3172	158	165	
	110"	2435	1370	400	80	130	2940	104	113	3267	158	165	
16:10	120"	2656	1494	400	80	130	3161	104	113	3488	158	165	
	67"	1460	900	400	80	130	1965	104	113	2292	158	165	
	79"	1704	1065	400	80	130	2209	104	113	2536	158	165	
	93"	2030	1268	400	80	130	2535	104	113	2862	158	165	
	103"	2214	1384	400	80	130	2719	104	113	3046	158	165	
	109"	2340	1463	400	80	130	2845	104	113	3172	158	165	
123"	2656	1660	400	80	130	3161	104	113	3488	158	165		

Sizes and specifications are subject to change without notice.



C.max A Motorized



C.max A Motorized

Easy installation – Adjustable floating integrated L-brackets make ceiling or wall installation extremely easy.

Stylish and durable – The alloy aluminum outer case is stylish and durable, available in white or black color. The slim bottom bar will retract into the case as a cover.

Motor in roller design – Special Motor in roller design keeps a quiet and smooth operation.

Equipped with quiet motor – Equipped with quiet motor keeps a quiet operation.

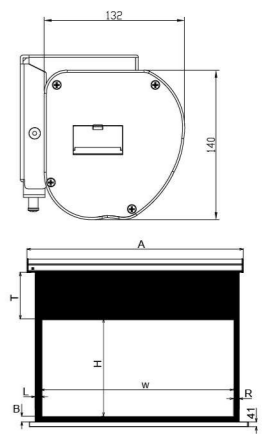
Customized size – Screen fabric has a black border all around. Standard large upper black drop for format at 16:9 and 2.35:1.

Customer-required format or black border is acceptable.

Equipped with standard 3 button in-line switch – All of Seemax control systems are available for this model screen, for detailed information please refer to pages “Control options”.

Screen selection – Matte White/Matte Grey/Matte White 280/Matte Grey 180.

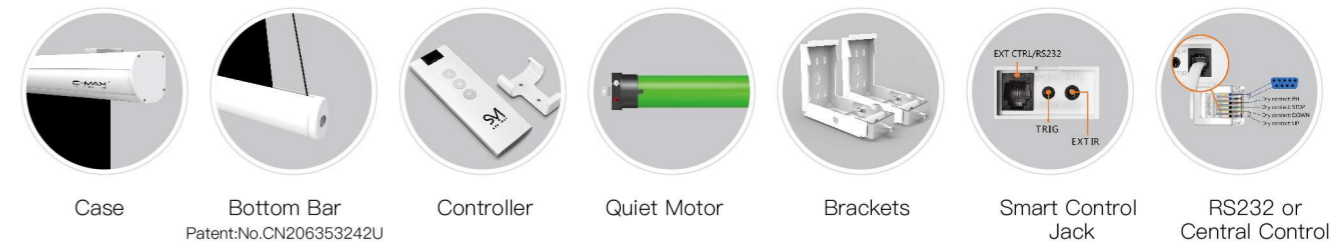
Format	Spec	Viewing area(mm)					Black drop(mm)		Case size(mm)			Package(mm)	
		W	H	T	B	L/R	A	D	H ₂	L	W	H	
16:9	100"	2214	1245	300	50	50	2585	132	140	2899	215	215	
	118"	2612	1465	300	50	50	2983	132	140	3297	215	215	
	120"	2656	1494	300	50	50	3027	132	140	3341	215	215	
	135"	2989	1681	300	50	50	3360	132	140	3674	215	215	
	150"	3321	1868	300	50	50	3692	132	140	4006	215	215	
	180"	3985	2241	300	50	50	4351	132	140	4670	215	215	
16:10	100"	2154	1346	300	50	50	2525	132	140	2839	215	215	
	120"	2585	1615	300	50	50	2956	132	140	3270	215	215	
	135"	2908	1817	300	50	50	3279	132	140	3593	215	215	
	150"	3231	2019	300	50	50	3602	132	140	3916	215	215	
	180"	3877	2423	300	50	50	4243	132	140	4562	215	215	



Sizes and specifications are subject to change without notice.



C.max A Tensioned



C.max A Tensioned

Self-tightening system – Both sides of screen utilize a self-tightening system that helps eliminate the “V” shape in the middle of the screen. This ensures that the screen is as flat and level as the mirror.

Easy Installation–Adjustable floating integrated L-brackets make ceiling or wall installation extremely easy.

Stylish appearance – The alloy aluminum outer case is stylish and durable, available in white or black color.

Large diameter rollers to ensure the long-term use of screen and providing a consistent flat projection surface.

Equipped with quiet motor – Equipped with quiet motor keeps a quiet operation.

All of Seemax control systems are available for this model, for detailed information please refer to pages “Control Options”

Screen selection – HD100/HD Grey 80/HD130E/HD Grey 150/HD130/HD Grey 70/3D Optical/HD Rear/Dual Vision

Format	Spec	Viewing area(mm)		Black drop(mm)			Case size(mm)			Package(mm)			Dimensions
		W	H	T	B	L/R	A	D	H ₂	L	W	H	
4:3	84"	1704	1278	400	100	130	2008	132	140	2327	215	215	
	100"	2030	1520	400	100	130	2334	132	140	2653	215	215	
	109"	2214	1660	400	100	130	2518	132	140	2837	215	215	
	120"	2340	1755	400	100	130	2644	132	140	2963	215	215	
	130"	2656	1992	400	100	130	2960	132	140	3279	215	215	
	145"	2944	2208	400	100	130	3248	132	140	3567	215	215	
	150"	3048	2286	400	100	130	3352	132	140	3671	215	215	
	164"	3320	2490	400	100	130	3624	132	140	3943	215	215	
16:9	173"	3498	2623	400	100	130	3802	132	140	4121	215	215	
	200"	4064	3048	400	100	130	4368	132	140	4687	215	215	
	77"	1704	958	400	100	130	2008	132	140	1992	215	215	
	92"	2030	1145	400	100	130	2334	132	140	2318	215	215	
	100"	2214	1245	400	100	130	2518	132	140	2502	215	215	
	106"	2340	1320	400	100	130	2644	132	140	2628	215	215	
16:10	120"	2656	1494	400	100	130	2960	132	140	2944	215	215	
	133"	3048	1715	400	100	130	3352	132	140	3336	215	215	
	150"	3320	1868	400	100	130	3624	132	140	3608	215	215	
	158"	3498	1968	400	100	130	3802	132	140	3786	215	215	
	180"	3984	2240	400	100	130	4288	132	140	4272	215	215	
	79"	1704	1065	400	100	130	2008	132	140	2327	215	215	
1:1	93"	2030	1268	400	100	130	2334	132	140	2653	215	215	
	103"	2214	1384	400	100	130	2518	132	140	2837	215	215	
	109"	2340	1463	400	100	130	2644	132	140	2963	215	215	
	123"	2656	1660	400	100	130	2960	132	140	3279	215	215	
	136"	3048	1905	400	100	130	3352	132	140	3671	215	215	
	154"	3320	2075	400	100	130	3624	132	140	3943	215	215	
2.35:1	162"	3498	2186	400	100	130	3802	132	140	4121	215	215	
	184"	3984	2490	400	100	130	4288	132	140	4607	215	215	
	84"x84"	2030	2030	400	100	130	2334	132	140	2653	215	215	
	96"x96"	2340	2340	400	100	130	2644	132	140	2963	215	215	
120"x120"	3040	3040	400	100	130	3344	132	140	3663	215	215		
2.35:1	130"	3038	1293	400	100	130	3633	132	140	3973	215	215	
	140"	3272	1392	400	100	130	3862	132	140	4202	215	215	
	150"	3506	1492	400	100	130	4096	132	140	4436	215	215	
	160"	3740	1591	400	100	130	4330	132	140	4670	215	215	

Sizes and specifications are subject to change without notice.



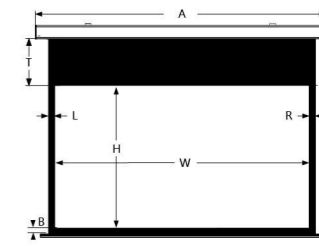
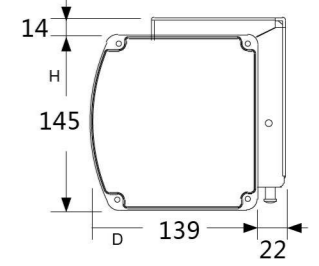
Shine A Motorized

- Motor in roller design – Special motor in roller design maintains quiet and smooth operation.
- Silent operation – All Seemax motorized screens use a special rubber antinoise and antivibration mechanism on the roller. This mechanism greatly absorbs and reduces the impact and ensures a quiet and smooth operation. Even after extensive testing of the high quality core of over ten thousand revolutions, the motor remains durable and efficient.
- Equipped with quiet motor – Equipped with a quiet motor for quiet operation.
- Unique roller design ensures the flattest screen surface – Large diameter rollers ensure long-term screen integrity providing a consistent flat projection surface.
- Custom size – A black border is all around the screen fabric. Standard large upper black drop for format at 16:9 and 2.35:1.
- Customer-required format or black border is acceptable.
- Equipped with standard 3 button in-line switch – All Seemax control systems are available for this model screen. For detailed information please refer to pages “Control Options”.
- Screen selection – Matte White/Matte Grey/Matte White 280/Matte Grey 180

Shine A Motorized



Format	Spec	Viewing area(mm)		Black drop(mm)		Case size(mm)			Package(mm)			Dimensions
		W	H	T	B	L/R	A	D	H ₂	L	W	
4:3	84"	1704	1278	80	80	50	2008	139	145	2327	215	215
	100"	2030	1520	80	80	50	2334	139	145	2653	215	215
	109"	2214	1660	80	80	50	2518	139	145	2837	215	215
	120"	2340	1755	80	80	50	2644	139	145	2963	215	215
	130"	2656	1992	80	80	50	2960	139	145	3279	215	215
	145"	2944	2208	80	80	50	3248	139	145	3567	215	215
	150"	3048	2286	80	80	50	3352	139	145	3671	215	215
16:9	77"	1704	958	750	80	50	2008	139	145	1992	215	215
	92"	2030	1145	560	80	50	2334	139	145	2318	215	215
	100"	2214	1245	460	80	50	2518	139	145	2502	215	215
	106"	2340	1320	390	80	50	2644	139	145	2628	215	215
	120"	2656	1494	300	80	50	2960	139	145	2944	215	215
	133"	3048	1715	300	80	50	3352	139	145	3336	215	215
	150"	3320	1868	300	80	50	3624	139	145	3608	215	215
16:10	158"	3498	1968	300	80	50	3802	139	145	3786	215	215
	180"	3984	2240	300	80	50	4288	139	145	4272	215	215
	79"	1704	1065	660	80	50	2008	139	145	2327	215	215
	93"	2030	1268	440	80	50	2334	139	145	2653	215	215
	103"	2214	1384	320	80	50	2518	139	145	2837	215	215
	109"	2340	1463	250	80	50	2644	139	145	2963	215	215
	123"	2656	1660	200	80	50	2960	139	145	3279	215	215
1:1	136"	3048	1905	200	80	50	3352	139	145	3671	215	215
	154"	3320	2075	200	80	50	3624	139	145	3943	215	215
	162"	3498	2186	200	80	50	3802	139	145	4121	215	215
	184"	3984	2490	200	80	50	4288	139	145	4607	215	215
	84"x84"	2030	2030	80	80	50	2334	139	145	2653	215	215
	96"x96"	2340	2340	80	80	50	2644	139	145	2963	215	215
	120"x120"	3040	3040	80	80	50	3344	139	145	3663	215	215





Shine B Motorized

Motor in roller design – Special motor in roller design maintains quiet and smooth operation.

Silent operation – All Seemax motorized screens use a special rubber antinoise and antivibration mechanism on the roller. This mechanism greatly absorbs and reduces impact and ensures a quiet and smooth operation. Even after testing the high quality core over ten thousand revolutions, the motor remains durable and efficient.

Equipped with quiet motor – Equipped with a quiet motor for quiet operation.

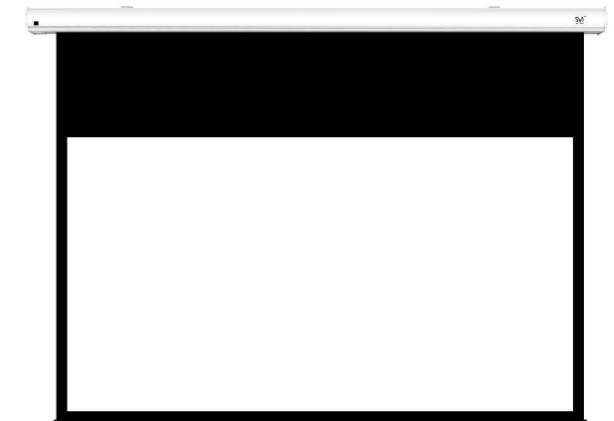
Unique roller design ensure the flattest screen surface – Large diameter rollers ensure long-term screen integrity providing a consistent flat projection surface.

Custom size – Screen fabric has a black border all around. Standard large upper black drop for format at 16:9 and 2.35:1. Customer-required format or black border is acceptable.

Equipped with standard 3 button in-line switch – All of Seemax control system are available for this model, for detailed information please refer to pages “Control Options”.

Screen selection – Matte White/Matte Grey/Matte White 280/Matte Grey 180

Shine B Motorized

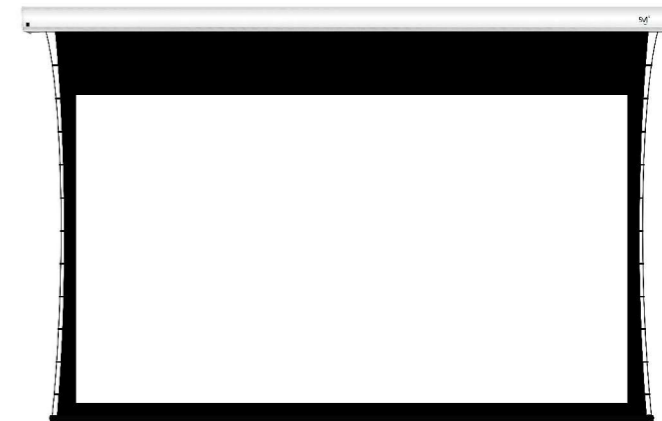


Format	Spec	Viewing area(mm)		Black drop(mm)			Case size(mm)			Package(mm)			Dimensions
		W	H	T	B	L/R	A	D	H ₂	L	W	H	
4:3	72"	1460	1100	80	50	50	1714	97	102	2028	158	165	
	84"	1704	1278	80	50	50	1958	97	102	2272	158	165	
	100"	2030	1520	80	50	50	2284	97	102	2598	158	165	
	120"	2340	1755	80	50	50	2594	97	102	2908	158	165	
16:9	65"	1460	820	1000	50	50	1714	97	102	2028	158	165	
	77"	1704	958	850	50	50	1958	97	102	2272	158	165	
	92"	2030	1145	650	50	50	2284	97	102	2598	158	165	
	100"	2214	1245	550	50	50	2468	97	102	2782	158	165	
	106"	2340	1320	500	50	50	2594	97	102	2908	158	165	
16:10	110"	2435	1370	450	50	50	2689	97	102	3003	158	165	
	120"	2656	1494	330	50	50	2940	97	102	3254	158	165	
	67"	1460	900	920	50	50	1714	97	102	2028	158	165	
	79"	1704	1065	750	50	50	1958	97	102	2272	158	165	
	93"	2030	1268	550	50	50	2284	97	102	2598	158	165	
	100"	2154	1346	450	50	50	2408	97	102	2722	158	165	
1:1	103"	2214	1384	400	50	50	2468	97	102	2782	158	165	
	109"	2340	1463	350	50	50	2594	97	102	2908	158	165	
	120"	2585	1615	200	50	50	2869	97	102	3183	158	165	
	123"	2656	1660	200	50	50	2940	97	102	3254	158	165	
1:1	60"x60"	1520	1520	80	50	25	3330	97	102	2036	158	165	
	70"x70"	1780	1780	80	50	25	1861	97	102	2296	158	165	
	84"x84"	2030	2030	80	50	50	2161	97	102	2596	158	165	
	96"x96"	2340	2340	80	50	50	2622	97	102	2936	158	165	

Sizes and specifications are subject to change without notice.



Picturesque Tensioned



Picturesque Tensioned

Self-tightening system – Both sides of the screen utilize a self-tightening system that helps eliminate the “V” shape in the middle of the screen. And this ensures that the screen is as flat and level as a mirror.

Installation is easy – Adjustable floating integrated L-brackets make ceiling or wall installation extremely easy.

Stylish and durable – The alloy aluminum outer case is stylish and durable, available in white or black color.

Unique roller design ensures the flattest screen surface – Large diameter rollers ensure long-term screen integrity providing a consistent flat projection surface.

Equipped with quiet motor – Equipped with quiet motor maintains quiet operation.

Equipped with standard 3 button in-line switch – All Seemax control systems are available for this model screen, for detailed information please refer to pages “Control Options”.

Screen selection – HD100/HD Grey 80/HD130E/HD Grey 150/HD130/HD Grey 70/3D Optical/HD Rear/Dual Vision

Format	Spec	Viewing area(mm)		Black drop(mm)			Case size(mm)			Package(mm)			Dimensions
		W	H	T	B	L/R	A	D	H ₂	L	W	H	
4:3	84"	1704	1278	400	100	130	2253	139	149	2577	215	215	
	100"	2030	1520	400	100	130	2579	139	149	2903	215	215	
	120"	2340	1755	400	100	130	2889	139	149	3213	215	215	
	150"	3048	2286	400	100	130	3597	139	149	3921	215	215	
	164"	3320	2490	400	100	130	3864	139	149	4188	215	215	
	173"	3498	2623	400	100	130	4042	139	149	4366	215	215	
200"	4064	3048	400	100	130	4608	139	149	4932	215	215		
16:9	77"	1704	958	400	100	130	2253	139	149	2577	215	215	
	92"	2030	1145	400	100	130	2579	139	149	2903	215	215	
	100"	2214	1245	400	100	130	2763	139	149	3087	215	215	
	106"	2340	1320	400	100	130	2889	139	149	3213	215	215	
	120"	2656	1494	400	100	130	3205	139	149	3529	215	215	
	135"	3048	1715	400	100	130	3597	139	149	3921	215	215	
	150"	3320	1868	400	100	130	3899	139	149	4223	215	215	
	158"	3498	1968	400	100	130	4077	139	149	4401	215	215	
180"	3984	2240	400	100	130	4563	139	149	4887	215	215		
200"	4428	2491	400	100	130	5007	139	149	5331	215	215		
16:10	77"	1704	1065	400	100	130	2253	139	149	2577	215	215	
	93"	2030	1268	400	100	130	2579	139	149	2903	215	215	
	103"	2214	1384	400	100	130	2763	139	149	3087	215	215	
	109"	2340	1462	400	100	130	2889	139	149	3213	215	215	
	123"	2656	1660	400	100	130	3205	139	149	3529	215	215	
	136	3048	1905	400	100	130	3597	139	149	3921	215	215	
	154"	3320	2075	400	100	130	3899	139	149	4223	215	215	
162"	3498	2186	400	100	130	4077	139	149	4401	215	215		
184"	3984	2490	400	100	130	4563	139	149	4887	215	215		
200"	4308	2693	400	100	130	5007	139	149	5211	215	215		
2.35:1	130"	3186	1434	400	100	130	3735	139	149	4059	215	215	
	140"	3416	1528	400	100	130	3965	139	149	4289	215	215	
	150"	3646	1625	400	100	130	4195	139	149	4519	215	215	
	160"	3873	1721	400	100	130	4422	139	149	4746	215	215	





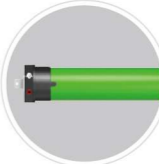
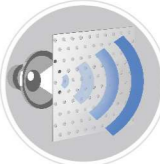
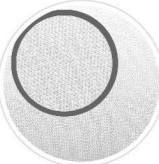
Sizes and specifications are subject to change without notice.



Picturesque Acoustic



-  Home theater market
-  Commercial market
-  Government market
-  Easy setting
-  IR/RF control

-  Case
-  Self-Tightening
-  Controller
-  Brackets
-  Quiet Motor
-  Acoustic
-  Screen Material

Picturesque Acoustic

Acoustic Classic A – PVC coated based on fiber-glass, pure white, this surface is designed to allow speakers installed behind the screen, and achieve a more realistic soundstage.

Video Transparency : 3%

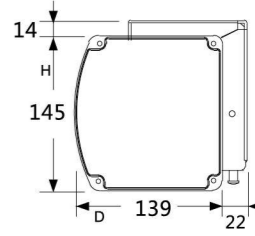
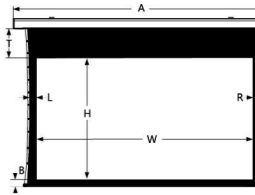
Video Transparency : 0.5%(incl BB layer)

Acoustic Transparency : -2.5db(10kHz-20kHz)

Acoustic Transparency (incl BB layer)-2.5db(10kHz-20kHz)

Ambient Light Resistance : 3/10

Screen Selection – Acoustic Perf HD130, Acoustic Perf HD Grey 70, Acoustic Woven A

Format	Spec	Viewing area(mm)		Black drop(mm)			Case size(mm)			Package(mm)			Dimensions
		W	H	T	B	L/R	A	D	H ₂	L	W	H	
4:3	84"	1704	1278	400	100	130	2253	139	149	2577	215	215	
	100"	2030	1520	400	100	130	2579	139	149	2903	215	215	
	120"	2340	1755	400	100	130	2889	139	149	3213	215	215	
	150"	3048	2286	400	100	130	3587	139	149	3921	215	215	
16:9	77"	1704	958	400	100	130	2253	139	149	2577	215	215	
	92"	2030	1145	400	100	130	2579	139	149	2903	215	215	
	100"	2214	1245	400	100	130	2763	139	149	3087	215	215	
	106"	2340	1320	400	100	130	2889	139	149	3213	215	215	
	120"	2656	1494	400	100	130	3205	139	149	3529	215	215	
16:10	135"	3048	1715	400	100	130	3597	139	149	3921	215	215	
	77"	1704	1065	400	100	130	2253	139	149	2577	215	215	
	93"	2030	1268	400	100	130	2579	139	149	2903	215	215	
	103"	2214	1384	400	100	130	2763	139	149	3087	215	215	
2.35:1	109"	2340	1462	400	100	130	2889	139	149	3213	215	215	
	123"	2656	1660	400	100	130	3205	139	149	3529	215	215	
	136"	3048	1905	400	100	130	3597	139	149	3921	215	215	
	130"	3186	1434	400	100	130	3735	139	149	4059	215	215	
2.35:1	140"	3416	1528	400	100	130	3965	139	149	4289	215	215	
	150"	3646	1625	400	100	130	4195	139	149	4519	215	215	
	160"	3873	1721	400	100	130	4422	139	149	4746	215	215	

Sizes and specifications are subject to change without notice.



Classic Motorized

Elegant appearance design – The outer hexagon case is made from a modern alloy, equipped with a high strength installation hanging plate so that it can be conveniently installed on walls or ceilings.

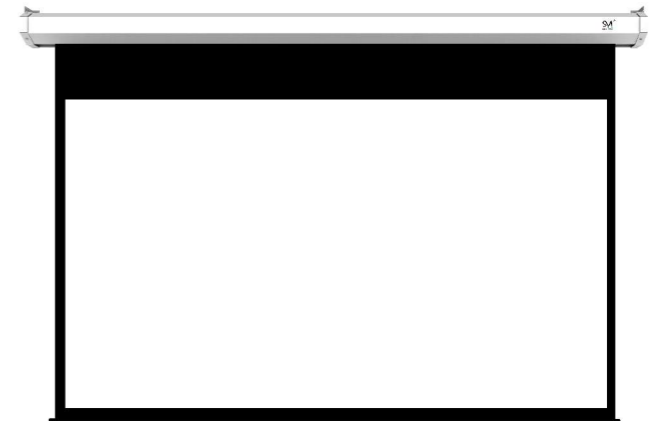
Unique roller design ensures the flattest screen surface – Large diameter rollers ensure long-term screen integrity providing a consistent flat projection surface.

Silent operation – All Seemax motorized screens use a special rubber anti-noise and anti-vibration mechanism on the roller. This mechanism greatly absorbs and reduces impact and ensures a quiet and smooth operation. Even after extensive testing of the high quality core over ten thousand revolutions, the motor remains durable and efficient. Quiet motor is optional.

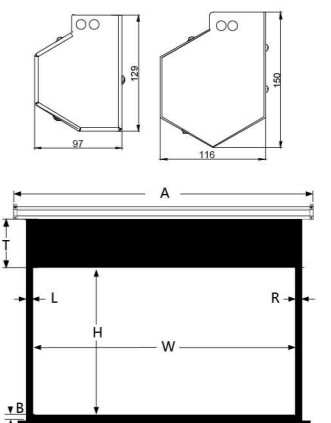
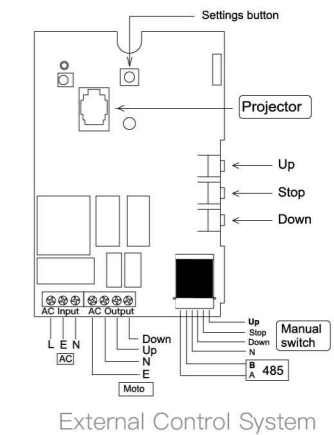
Screen selection – Matte White/Matte Grey/Matte White 280/Matte Grey 180

Control Options – Classic Series motorized screens are equipped with a 3-way in-line switch. Optional remote control systems or 12V trigger are also available. For detailed information, please refer to pages “Control Options” .

Classic Motorized



Format	Spec	Viewing area(mm)					Black drop(mm)		Case size(mm)			Package(mm)		
		W	H	T	B	L/R	A	D	H ₂	L	W	H		
4:3	84"	1704	1278	80	20	50	2047	116	150	2362	215	215		
	100"	2030	1520	80	20	50	2373	116	150	2688	215	215		
	109"	2214	1660	80	20	50	2557	116	150	2872	215	215		
	120"	2340	1755	80	20	50	2683	116	150	2998	215	215		
	131"	2656	1992	80	20	50	2999	116	150	3314	215	215		
	150"	3048	2286	80	20	50	3391	116	150	3706	215	215		
16:9	77"	1704	958	810	20	50	2047	116	150	2362	215	215		
	92"	2030	1145	630	20	50	2373	116	150	2688	215	215		
	100"	2214	1245	530	20	50	2557	116	150	2872	215	215		
	106"	2340	1320	450	20	50	2683	116	150	2998	215	215		
	120"	2656	1494	300	20	50	2999	116	150	3314	215	215		
	133"	3048	1715	300	20	50	3391	116	150	3706	215	215		
16:10	150"	3320	2490	80	20	50	3663	116	150	3978	215	215		
	79"	1704	1065	300	20	50	2047	116	150	2362	215	215		
	93"	2030	1268	300	20	50	2373	116	150	2688	215	215		
	100"	2154	1346	300	20	50	2497	116	150	2812	215	215		
	103"	2214	1384	300	20	50	2557	116	150	2872	215	215		
	109"	2340	1463	300	20	50	2683	116	150	2998	215	215		
	120"	2585	1615	300	20	50	2928	116	150	3243	215	215		
	123"	2656	1660	300	20	50	2999	116	150	3314	215	215		
	136"	3048	1905	300	20	50	3391	116	150	3706	215	215		
150"	3231	2019	300	20	50	3574	116	150	3889	215	215			
154"	3320	2075	300	20	50	3663	116	150	3978	215	215			





Classic Tensioned

Elegant appearance design – The outer hexagon case is made from a modern alloy, equipped with a high strength installation hanging plate so that it can be conveniently installed on walls or ceilings.

Unique roller design ensures the flattest screen surface – Large diameter rollers ensure long-term screen integrity providing a consistent flat projection surface.

Silent operation – All Seemax motorized screens use a special rubber anti-noise and anti-vibration mechanism on the roller. This mechanism greatly absorbs and reduces impact and ensures a quiet and smooth operation. Even after extensive testing of the high quality core over ten thousand revolutions, the motor remains durable and efficient. Quiet motor is optional.

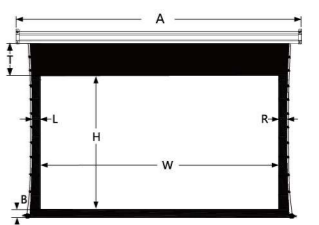
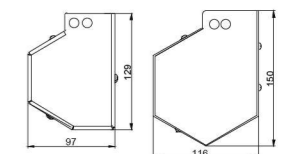
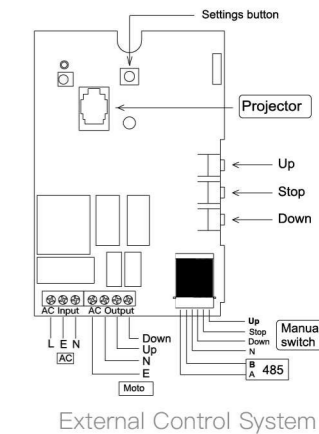
Screen selection – HD100/HD Grey 80/HD130E/HD Grey 150/HD130/HD Grey 70/3D Optica/HD Rear/Dual Vision

Control Options – Classic Series motorized screens are in standard with a 3-way in-line switch. Optional remote control systems or 12V trigger are also available. For detailed information, please refer to pages “Control Options”.

Classic Tensioned

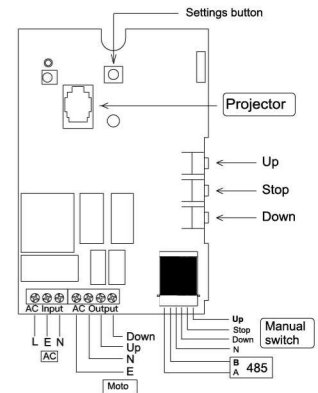


Format	Spec	Viewing area(mm)		Black drop(mm)		Case size(mm)			Package(mm)			
		W	H	T	B	L/R	A	D	H ₂	L	W	H
4:3	84"	1704	1278	400	100	130	2202	139	149	2522	215	215
	100"	2030	1520	400	100	130	2528	139	149	2848	215	215
	109"	2214	1660	400	100	130	2712	139	149	3032	215	215
	120"	2340	1755	400	100	130	2838	139	149	3158	215	215
	131"	2625	1992	400	100	130	3154	139	149	3474	215	215
	150"	3048	2286	400	100	130	3551	139	149	3866	215	215
164"	3320	2490	400	100	130	3823	139	149	4138	215	215	
16:9	77"	1704	958	400	100	130	2202	139	149	2522	215	215
	92"	2030	1145	400	100	130	2528	139	149	2848	215	215
	100"	2214	1245	400	100	130	2712	139	149	3032	215	215
	106"	2340	1320	400	100	130	2838	139	149	3158	215	215
	120"	2656	1494	400	100	130	3154	139	149	3474	215	215
	133"	3048	1715	400	100	130	3546	139	149	3866	215	215
150"	3320	1868	400	100	130	3819	139	149	4139	215	215	
16:10	77"	1704	1065	400	100	130	2202	139	149	2522	215	215
	93"	2030	1268	400	100	130	2528	139	149	2848	215	215
	100"	2154	1346	400	100	130	2652	139	149	2972	215	215
	103"	2214	1384	400	100	130	2712	139	149	3032	215	215
	109"	2340	1462	400	100	130	2838	139	149	3158	215	215
	120"	2585	1615	400	100	130	3083	139	149	3403	215	215
	123"	2656	1660	400	100	130	3154	139	149	3474	215	215
	136"	3048	1905	400	100	130	3546	139	149	3866	215	215
	150"	3231	2019	400	100	130	3734	139	149	4049	215	215
	154"	3320	2075	400	100	130	3823	139	149	4138	215	215

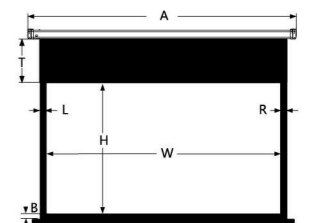
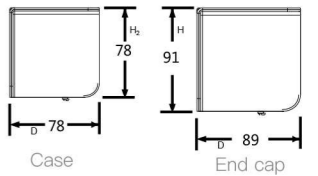




Delicate Motorized



Format	Spec	Viewing area(mm)		Black drop(mm)		Case size(mm)			Package(mm)			
		W	H	T	B	L/R	A	D	H ₂	L	W	H
4:3	84"	1704	1278	80	50	50	2023	89	91	2313	158	165
	100"	2030	1520	80	50	50	2349	89	91	2639	158	165
	120"	2340	1755	80	50	50	2659	89	91	2949	158	165
16:9	77"	1704	958	850	50	50	2023	89	91	2313	158	165
	92"	2030	1145	670	50	50	2349	89	91	2639	158	165
	100"	2214	1245	570	50	50	2533	89	91	2823	158	165
	106"	2340	1320	500	50	50	2659	89	91	2949	158	165
16:10	120"	2656	1494	330	50	50	2985	89	91	3275	158	165
	79"	1704	1065	750	50	50	2023	89	91	2313	158	165
	93"	2030	1268	550	50	50	2349	89	91	2639	158	165
	103"	2214	1384	430	50	50	2533	89	91	2823	158	165
	109"	2347	1463	350	50	50	2666	89	91	2956	158	165
1:1	123"	2656	1660	200	50	50	2985	89	91	3275	158	165
	60"x60"	1520	1520	80	50	50	1839	89	91	2129	158	165
	70"x70"	1780	1780	80	50	50	2099	89	91	2389	158	165
	84"x84"	2030	2030	80	50	50	2349	89	91	2639	158	165
	96"x96"	2340	2340	80	50	50	2659	89	91	2949	158	165



Delicate Motorized

Convenient and fashion – The outer square case is stylish. The brackets give users the options of wall mount, and ceiling mount, which could be installed directly onto the wall or ceiling. This model is perfectly fit for various education and government facilities.

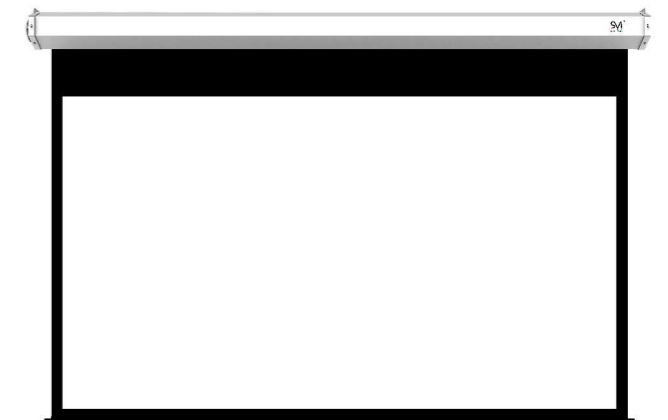
Control Options – Delicate Series motorized screens is in standard with a 3-way in-line switch. Optional remote control systems or 12V trigger are also available.

Screen selection – Matte White, High Contrast Grey

Sizes and specifications are subject to change without notice.



Grandmax Motorized



- Commercial market
- Government market
- Easy setting
- IR/RF control

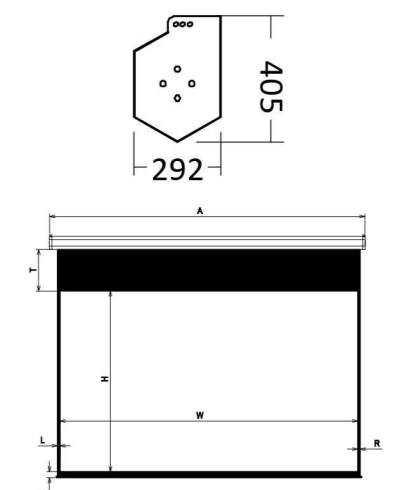
- Case
- End Cap
- Bottom Bar
- Controller
- Tubular Motor
- Control Options
- RS232 or Central control

Grandmax Motorized

Professional Large Studio: Grandmax Motorized Screen (durable steel case) white or black color is available. It's easy for wall or ceiling installation. Ideal for large screen applications in auditoriums, stage settings, etc. Also it's available in customized sizes for various events. Special design provides with an easy and quick motor changing process without dismounting the screen. It can be seamless within 350" for Matte White materials. The professional Grandmax Motorized screen uses an up to Φ220mm super roller that ensures the screen remains flat. Equipped with standard three button in-line switch, RF or IR compatible with universal programmable remote control is optional.

Screen Selection - Matte White

Format	Spec	Viewing area(mm)		Black drop(mm)		
		W	H	T	B	L/R
16:9	300"	6641	3736	300	100	80
	350"	7748	4358	300	100	80
	400"	8855	4981	300	100	80
	500"	11069	6226	300	100	80
16:10	300"	6462	3635	300	100	80
	350"	7539	4241	300	100	80
	400"	8616	4847	300	100	80
	500"	10770	6058	300	100	80
2.35:1	300"	7012	3944	300	100	80
	350"	8180	4601	300	100	80
	400"	9349	5259	300	100	80
	500"	11686	6573	300	100	80



Sizes and specifications are subject to change without notice.



Grandmax Tensioned

Both sides of the screen utilize a self-tightening system – This helps eliminate the "V" shape in the middle of the screen, and it ensures that the screen is as flat and level as a mirror.

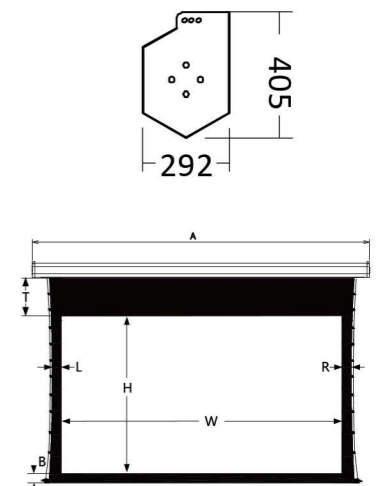
Professional Large Studio: Grandmax Motorized Screen (durable steel case) white or black color is available. It's easy for wall or ceiling installation. Ideal for large screen applications in auditoriums, stage settings, etc. Also it's available in customized sizes for various events. Special design provides with an easy and quick motor changing process without dismantling the screen. The professional Grandmax Tensioned screen uses an up to Φ220mm super roller that ensures the screen remains flat. Equipped with standard three button in-line switch, RF or IR compatible with universal programmable remote control is optional.

Screen Selection – HD100/3D Optical/HD Rear

Grandmax Tensioned



Format	Spec	Viewing area(mm)		Black drop(mm)		
		W	H	T	B	L/R
16:9	300"	6641	3736	300	100	130
	350"	7748	4358	300	100	130
	400"	8855	4981	300	100	130
	500"	11069	6226	300	100	130
16:10	300"	6462	3635	300	100	130
	350"	7539	4241	300	100	130
	400"	8616	4847	300	100	130
	500"	10770	6058	300	100	130
2.35:1	300"	7012	3944	300	100	130
	350"	8180	4601	300	100	130
	400"	9349	5259	300	100	130
	500"	11686	6573	300	100	130



Sizes and specifications are subject to change without notice.



Grandmax Motorized/Tensioned G1

Solid Structure – Stylish and durable aluminum casing is designed for motorized and tab-tensioned versions, Black and white colors are available. It's the best option for fixed installation in large-scale facilities. A unique design for easily replacing the motor makes the replacing process easy and without disassembly. Using a $\Phi 140\text{mm}$ big tube ensures the flatness of the fabric. Seamless up to 6-meter wide and customized size is available.

Self-tightening system – The self-tightening system is utilized on both sides of the fabric to adjust the tightness with the adjusting knobs.

Control option – Equipped with manual switch, IR or RF is optional.

Screen selection – HD100/HD Grey 80/HD130E/HD Grey 150/3D Optical/HD Rear/Dual Vision/Matte White/Matte Grey.

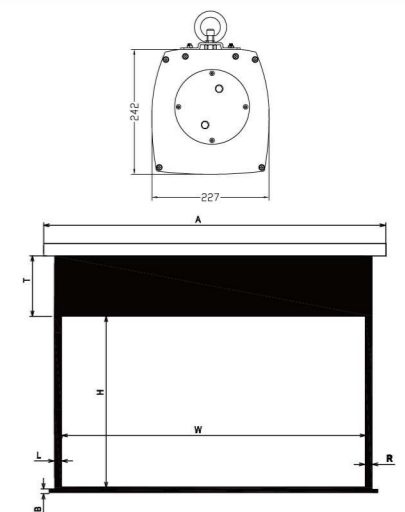
Grandmax

Motorized/Tensioned G1



Format	Spec	Viewing area(mm)		Black drop(mm)		
		W	H	T	B	L/R
4:3	250"	5080	3810	300	100	80
	300"	6096	4572	300	100	80
16:9	250"	5535	3113	300	100	80
	300"	6642	3736	300	100	80
16:10	250"	5385	3365	300	100	80
	300"	6462	4039	300	100	80

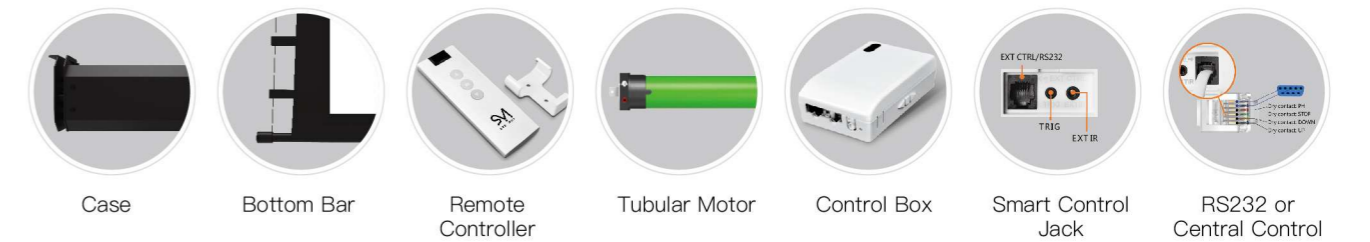
Sizes and specifications are subject to change without notice.





Grandmax

Motorized/Tensioned G2



Grandmax Motorized/Tensioned G2

Solid Structure – Durable carbide steel casing is designed for motorized and tab-tensioned screens. Black and white colors are available. It's the best option for fixed installation in large-scale facilities. A unique design for easily replacing the motor makes the replacing process easy and without disassembly.

Self-tightening System – The self-tightening system is utilized on both sides of the screen materials to adjust the tightness with the adjusting knobs.

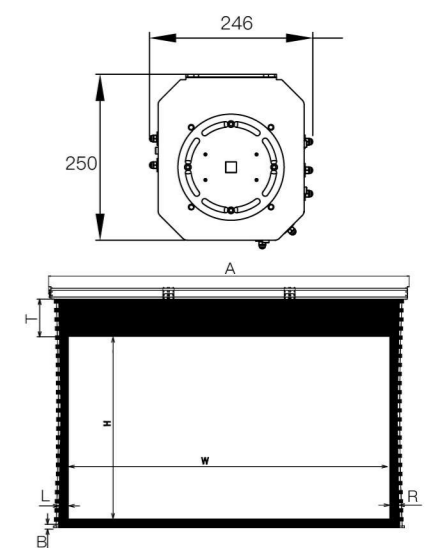
Control Options– Manual switch, IR/RF, RS232/485, 12V Trigger

Screen Selection – Matte White/Matte Grey/HD100/3D Optical.

Customized size is available.

Format	Spec	Viewing area(mm)		Black drop(mm)		
		W	H	T	B	L/R
4:3	200"	4064	3048	300	100	130
	250"	5080	3810	300	100	130
	300"	6096	4572	300	100	130
16:9	200"	4428	2491	300	100	130
	250"	5535	3113	300	100	130
	290"	6420	3611	300	100	130
16:10	200"	4308	2692	300	100	130
	250"	5385	3366	300	100	130
	300"	6462	4039	300	100	130

Sizes and specifications are subject to change without notice.





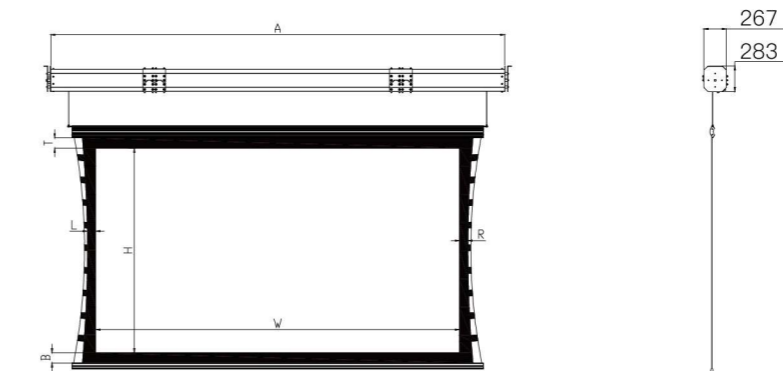
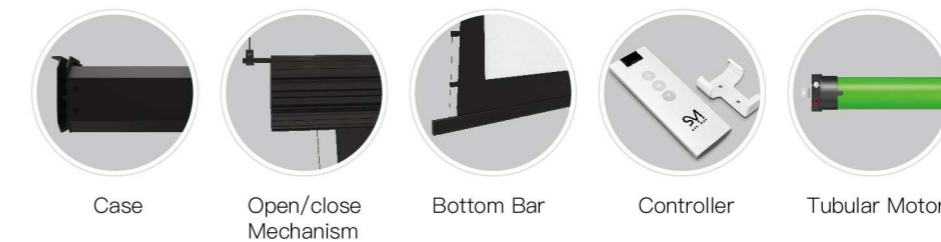
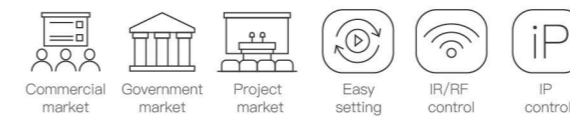
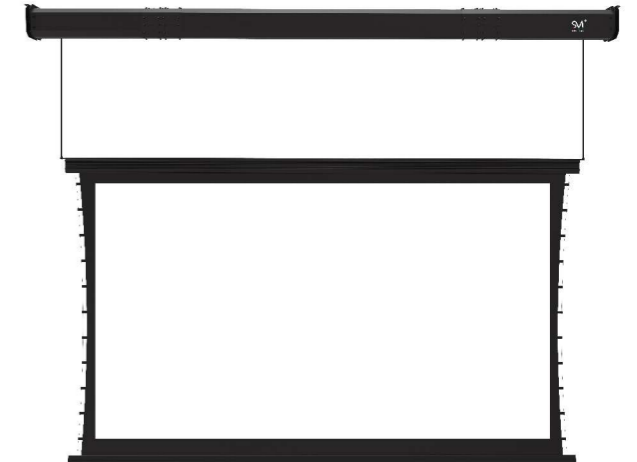
New F1 Series

Designed for the large venues, compared with the previous version, the New F1 has been greatly changed. With the single motor and roller structure, the New F1 utilizes two sturdy and reliable steel wires to realize the screen materials moving up to 5 meters instead of the ultrahigh top black drop which is playing a role to lower the viewing area to the desired position. Furthermore, positioning the desired viewing area can be done expediently by an integrated remote controller.

The self-tensioning system ensures the flattest surface possibility for getting a high-quality projection image. It is presenting a neat and aesthetically pleasing appearance and user friendly experience.

Maximum screen size: 250"(16:9)

New F1 Series



Format	Spec	Viewing area(mm)		Black drop(mm)			Bottom Bar(mm)	
		W	H	T	B	L	R	
4:3	150"	3048	2286	100	100	130	130	4022
	200"	4064	3048	100	100	130	130	5038
	240"	5080	3810	100	100	130	130	6054
16:9	150"	3321	1868	100	100	130	130	4295
	200"	4428	2491	100	100	130	130	5402
	250"	5535	3113	100	100	130	130	6509
16:10	150"	3231	2019	100	100	130	130	4205
	200"	4308	2693	100	100	130	130	5282
	250"	5385	3366	100	100	130	130	6395

Sizes and specifications are subject to change without notice.



Attractive Manual

Easy installation – Adjustable floating L-brackets make the ceiling or wall installation extremely easy.

Flexible adjustment – Simple clap-on installation provides with an easy adjustment for the case.

Speed control device – Patented safe and free screen controlled return and self-position locking mechanism provides more safety.

Screen selection – Matte White/Matte Grey

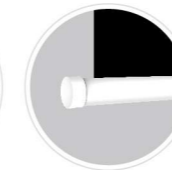
Attractive Manual



Education
market



Case



Bottom Bar



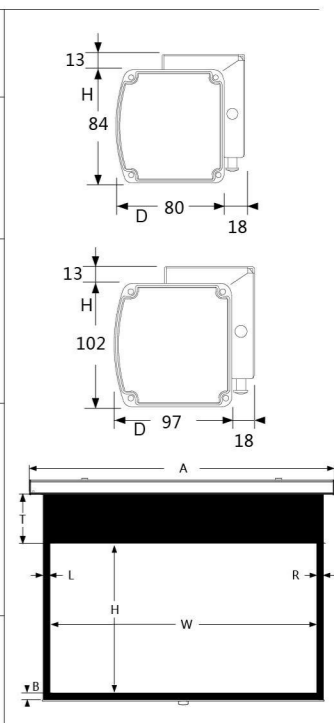
Handle



CRS

(Patent No.205937757U)

Format	Spec	Viewing area(mm)		Black drop(mm)			Case size(mm)			Package(mm)		
		W	H	T	B	L/R	A	D	H ₂	L	W	H
4:3	72"	1460	1100	80	50	25	1587	80	84	1791	145	155
	84"	1704	1278	80	50	30	1842	80	84	2046	145	155
	100"	2030	1520	80	50	50	2207	80	84	2411	145	155
	120"	2340	1755	80	50	47	2525	80	84	2729	145	155
	150"	3048	2286	80	50	50	3266	80	84	3470	145	155
16:9	77"	1704	958	550	50	30	1842	80	84	2046	145	155
	92"	2030	1145	600	50	50	2207	80	84	2411	145	155
	100"	2214	1245	500	50	50	2391	80	84	2595	145	155
	106"	2340	1320	450	50	47	2511	80	84	2715	145	155
	120"	2656	1494	300	50	50	2847	97	102	3051	158	165
16:10	79"	1704	1063	450	50	30	1841	80	84	2045	145	155
	93"	2030	1268	480	50	50	2207	80	84	2411	145	155
	100"	2154	1346	380	50	50	2331	80	84	2535	145	155
	103"	2214	1385	350	50	50	2391	80	84	2595	145	155
	109"	2340	1463	300	50	47	2511	97	102	2715	158	165
	120"	2585	1615	200	50	50	2776	97	102	2980	158	165
	123"	2656	1660	150	50	50	2874	97	102	3078	158	165
1:1	60X60"	1520	1520	80	50	325	1654	80	84	1858	145	155
	70X70"	1780	1780	80	50	25	1914	80	84	2118	145	155
	84X84"	2030	2030	80	50	50	2214	80	84	2418	145	155
	96X96"	2340	2340	80	50	47	2518	80	84	2722	158	165



Sizes and specifications are subject to change without notice.



Enjoyable Manual

Easy installation – The outer square case is stylish and durable. This model is perfectly fit for various education and government facilities.

Self-positioning locking mechanism – Patented safe and free screen controlled return and self position locking mechanism provides more safety.

Screen selection – Matte White/Matte Grey

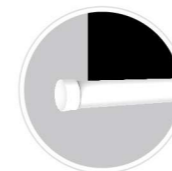
Enjoyable Manual



Education
market



Case



Bottom Bar



Handle



CRS

(Patent No.205937757U)

Format	Spec	Viewing area(mm)					Black drop(mm)		Case size(mm)			Package(mm)		
		W	H	T	B	L/R	A	D	H ₂	L	W	H		
4:3	72"	1460	1100	80	50	25	1638	80	84	1740	145	155		
	84"	1704	1278	80	50	30	1893	80	84	1995	145	155		
	100"	2030	1520	80	50	50	2258	80	84	2360	145	155		
	120"	2340	1755	80	50	47	2662	80	84	2664	145	155		
	150"	3048	2286	80	50	50	3284	80	84	3386	158	165		
16:9	77"	1704	958	550	50	30	1893	80	84	1995	145	155		
	92"	2030	1145	600	50	50	2258	80	84	2360	145	155		
	100"	2214	1245	500	50	50	2442	80	84	2544	145	155		
	106"	2340	1320	450	50	47	2562	80	84	2664	145	155		
	120"	2656	1494	300	50	50	2892	97	102	2994	158	165		
16:10	133"	3048	1715	400	50	50	3284	97	102	3386	158	165		
	79"	1704	1063	450	50	30	1892	80	84	1994	145	155		
	93"	2030	1268	480	50	50	2258	80	84	2360	145	155		
	100"	2154	1346	380	50	50	2382	80	84	2484	145	155		
	103"	2214	1385	350	50	50	2442	80	84	2544	145	155		
	109"	2340	1463	300	50	47	2562	80	84	2664	145	155		
	120"	2585	1615	200	50	50	2821	97	102	2923	158	165		
123"	2656	1660	150	50	50	2892	97	102	2994	158	165			
1:1	136"	3048	1905	200	50	50	3284	97	102	3386	158	165		
	60x60"	1520	1520	80	50	25	1698	80	84	1800	145	155		
	70x70"	1780	1780	80	50	25	1958	80	84	2060	145	155		
	84x84"	2030	2030	80	50	50	2258	80	84	2360	145	155		
	96x96"	2340	2340	80	50	47	2562	80	84	2664	145	155		

Sizes and specifications are subject to change without notice.



C.max Manual

Fashion and convenience – Adjustable floating L-brackets make the ceiling or wall installation extremely easy, patented safe and free screen controlled return and self-positioning locking mechanism provides quiet and uniform speed when the screen is in use, this series is quite suitable for education and government markets.

Screen selection – Matte White/Matte Grey

Manual retarder patent NO. – 205937757U

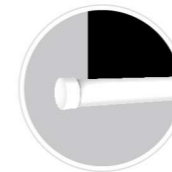
C.max Manual



Education
market



Case



Bottom Bar



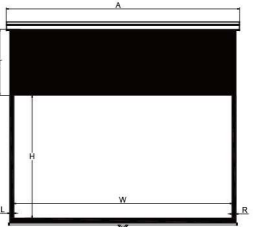
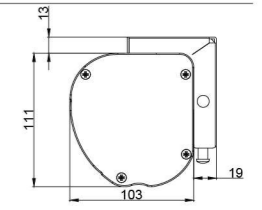
Handle



CRS

(Patent No.205937757U)

Format	Spec	Viewing area(mm)					Black drop(mm)			Case size(mm)			Package(mm)		
		W	H	T	B	L/R	A	D	H ₂	L	W	H			
16:9	77"	1704	958	550	50	50	1890	103	111	2104	158	165			
	92"	2030	1145	600	50	50	2216	103	111	2430	158	165			
	100"	2214	1245	500	50	50	2500	103	111	2614	158	165			
	106"	2340	1320	450	50	50	2526	103	111	2740	158	165			
	120"	2656	1494	300	50	50	2842	103	111	3056	158	165			
16:10	79"	1704	1063	450	50	50	1884	103	111	2104	158	165			
	93"	2030	1268	480	50	50	2210	103	111	2430	158	165			
	100"	2254	1346	380	50	50	2334	103	111	2554	158	165			
	103"	2214	1384	350	50	50	2394	103	111	2614	158	165			
	109"	2340	1462	300	50	50	2520	103	111	2740	158	165			
	120"	2685	1615	200	50	50	2765	103	111	2985	158	165			



Sizes and specifications are subject to change without notice.



Plain 6cm Fixed Frame



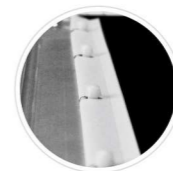
Side View



Accessories



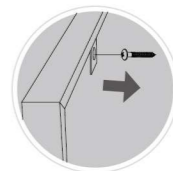
Frames Assembly



Fabric Assembly



Mounting Brackets



Brackets Installation

Format	Spec	Viewing area(mm)		Installation size(mm)		Package(mm)			Dimensions
		W	H	L	S	L	W	H	
4:3	84"	1704	1278	1824	1398	1924	150	240	
	100"	2030	1520	2150	1640	2250	150	240	
	120"	2340	1755	2460	1875	2560	150	240	
16:9	77"	1704	958	1824	1078	1924	150	240	
	92"	2030	1145	2150	1265	2250	150	240	
	100"	2214	1245	2334	1365	2434	150	240	
	106"	2340	1320	2460	1440	2560	150	240	
	110"	2435	1370	2555	1490	2655	150	240	
	120"	2656	1494	2776	1614	2876	150	240	
	130"	2878	1619	2998	1739	3098	150	240	
137"	3018	1715	3168	1835	3268	150	240		
16:10	140"	3099	1743	3219	1863	3319	150	240	
	150"	3320	1868	3440	1988	3540	150	240	
	79"	1704	1065	1824	1185	1924	150	240	
	93"	2030	1268	2150	1388	2250	150	240	
	103"	2214	1384	2334	1504	2434	150	240	
	109"	2340	1463	2460	1583	2560	150	240	
16:9	123"	2656	1660	2776	1780	2876	150	240	
	136"	3048	1905	3168	2025	3268	150	240	
	154"	3320	2075	3440	2195	3540	150	240	

Sizes and specifications are subject to change without notice.

Plain 6cm Fixed Frame

Aluminum alloy frame – The Fixed-Frame Plain screen is enclosed in a 6cm-attractive velvet wrapped lightweight alloy frame .

Excellent picture quality – Suitable for high definition television/movies .

Installation is easy – Easy installation with floating mounting bracket system. Also available as an in-wall display.

Specification selection – Video, HDTV and 2.35:1 formats are available for size up to 150”.

Adjustable tension system – The adjustable system ensures that the screen is as flat and level as a mirror.

Reasonable price

Screen selection – Pure White/Pure Grey/HD100/HD Grey 80/HD130E/HD Grey 150/HD130/HD Grey 70/3D Optical/HD Rear/Dual

Vision/Matte White 280/Matte Grey 180/Acoustic Perf HD130/Acoustic Perf HD Grey 70/Acoustic Woven A/Acoustic Woven C



Highland 8cm Fixed Frame

- Aluminum alloy frame – It's in an 8cm attractive velvet wrapped lightweight alloy frame.
- Excellent picture quality – Suitable for high definition television/movies.
- Easy installation – Special designed slim brackets provide an easy clap-on installation, also available as an in-wall display.
- Flexible adjustment – Screen can slide along the brackets to achieve a best viewing position.
- Specification selection – Video, HDTV and 2.35:1 formats are available for size up to 180"
- Adjustable tension system – The adjustable system ensures that the screen is as flat and level as a mirror.
- Screen selection – Pure White/Pure Grey/HD100/HD Grey 80/HD130E/HD Grey 150/HD130/HD Grey 70/3D Optical/HD Rear/Dual Vision/Matte White 280/Matte Grey 180/Acoustic Perf HD130/Acoustic Perf HD Grey 70/Acoustic Woven A/Acoustic Woven C

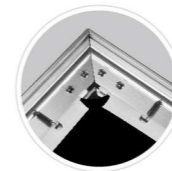
Highland 8cm Fixed Frame



Side View



Accessories
(PatentNo.CN20635239U)

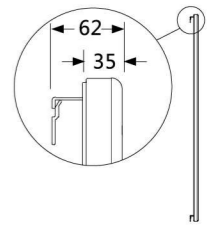
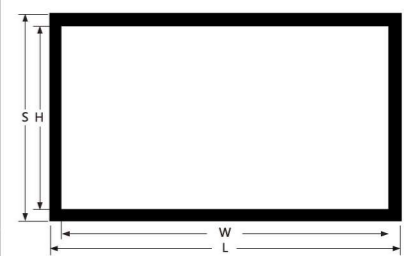


Frames
Assembly



Springs
System

Format	Spec	Viewing area(mm)		Installation size(mm)		Package(mm)			Dimensions
		W	H	L	S	L	W	H	
4:3	84"	1704	1278	1864	1438	1984	200	250	
	100"	2030	1520	2190	1680	2310	200	250	
	109"	2214	1660	2374	1820	2494	200	250	
	120"	2340	1755	2500	1915	2620	200	250	
	130"	2656	1992	2816	2152	2936	200	250	
	145"	2944	2208	3104	2368	3224	200	250	
	150"	3048	2286	3208	2446	3328	200	250	
	164"	3320	2490	3480	2650	3600	200	250	
173"	3498	2623	3658	2783	3778	200	250		
16:9	77"	1704	958	1864	1118	1984	200	250	
	92"	2030	1145	2190	1305	2310	200	250	
	100"	2214	1245	2374	1405	2494	200	250	
	106"	2340	1320	2500	1480	2620	200	250	
	120"	2656	1494	2816	1654	2936	200	250	
	133"	3048	1715	3208	1875	3328	200	250	
	150"	3320	1868	3480	2028	3600	200	250	
	158"	3498	1968	3658	2128	3778	200	250	
180"	3984	2240	4144	2400	4264	200	250		
16:10	79"	1704	1065	1864	1225	1984	200	250	
	93"	2030	1268	2190	1428	2310	200	250	
	103"	2214	1384	2374	1544	2494	200	250	
	109"	2340	1463	2500	1623	2620	200	250	
	123"	2656	1660	2816	1820	2936	200	250	
	136"	3048	1905	3208	2065	3328	200	250	
	154"	3320	2075	3480	2235	3600	200	250	
	162"	3498	2186	3658	2346	3778	200	250	
184"	3984	2490	4144	2650	4264	200	250		



Sizes and specifications are subject to change without notice.



Alpine 10cm Fixed Frame

- Aluminum alloy frame – It's in an 10cm attractive velvet wrapped lightweight alloy frame.
- Excellent picture quality – Suitable for high definition television/movies.
- Easy installation – Special designed slim brackets provide an easy clap-on installation, also available as an in-wall display.
- Flexible adjustment – Screen can slide along the brackets to achieve a best viewing position.
- Specification selection – Video, HDTV and 2.35:1 formats are available for size up to 300"
- Adjustable tension system – The adjustable system ensures that the screen is as flat and level as a mirror.
- Screen selection – Pure White/Pure Grey/HD100/HD Grey 80/HD130E/HD Grey 150/HD130/HD Grey 70/3D Optical/HD Rear/Dual Vision/Matte White 280/Matte Grey 180/Acoustic Perf HD130/Acoustic Perf HD Grey 70/Acoustic Woven A/Acoustic Woven C

Alpine 10cm Fixed Frame



Side View



Accessories
(PatentNo.CN20635239U)



Frames
Assembly



Springs
System

Format	Spec	Viewing area(mm)		Installation size(mm)		Package(mm)			Dimensions
		W	H	L	S	L	W	H	
4:3	84"	1704	1278	1904	1478	2024	230	280	
	100"	2030	1520	2230	1720	2350	230	280	
	109"	2214	1660	2414	1860	2534	230	280	
	120"	2340	1755	2540	1955	2660	230	280	
	130"	2656	1992	2856	2192	2976	230	280	
	145"	2944	2208	3144	2408	3264	230	280	
	150"	3048	2286	3248	2486	3368	230	280	
	164"	3320	2490	3520	2690	3640	230	280	
	173"	3498	2623	3698	2823	3818	230	280	
200"	4064	3048	4264	3248	4384	230	280		
16:9	77"	1704	958	1904	1158	2024	230	280	
	92"	2030	1145	2230	1345	2350	230	280	
	100"	2214	1245	2414	1445	2534	230	280	
	106"	2340	1320	2540	1520	2660	230	280	
	120"	2656	1494	2856	1694	2976	230	280	
	133"	3048	1715	3248	1915	3368	230	280	
	150"	3320	1868	3520	2068	3640	230	280	
	158"	3498	1968	3698	2168	3818	230	280	
	180"	3984	2240	4184	2440	4304	230	280	
200"	4428	2490	4628	2690	4748	230	280		
16:10	79"	1704	1065	1904	1265	2024	230	280	
	93"	2030	1268	2230	1468	2350	230	280	
	103"	2214	1384	2414	1584	2534	230	280	
	109"	2340	1463	2540	1663	2660	230	280	
	123"	2656	1660	2856	1860	2976	230	280	
	136"	3048	1905	3248	2105	3368	230	280	
	154"	3320	2075	3520	2275	3640	230	280	
	162"	3498	2186	3698	2386	3818	230	280	
	184"	3984	2490	4184	2690	4304	230	280	

Sizes and specifications are subject to change without notice.



Zero 1cm Fixed Frame

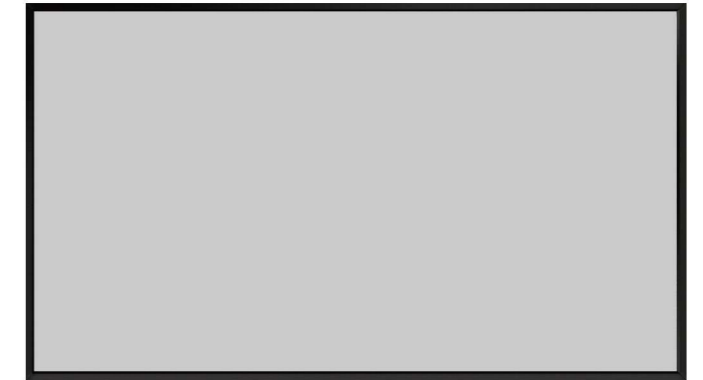
Aluminum alloy frame – A unique design for the persons who love the thin edge frame screen, outlooking frame is just at 1cm.

Easy Installation – Special design brackets make the installation very easy, save time and money.

Specification selection – Strong alloy aluminium structure maintains the screen flat, the size is up to 200" 16:9.

Screen selection – Pure White/Pure Grey/HD100/HD Grey 80/HD130E/HD Grey 150/HD130/HD Grey 70/3D Optical/HD Rear/Dual Vision/Acoustic Perf HD130/Acoustic Perf HD Grey 70/Acoustic Woven A/Acoustic Woven C

Zero 1cm Fixed Frame



Home
theater
market



Side View



Accessories

(PatentNo.CN20635239U)

Format	Spec	Viewing area(mm)		Installation size(mm)		Package(mm)			Dimensions
		W	H	L	S	L	W	H	
16:9	92"	2030	1145	2050	1165	2175	240	295	
	100"	2214	1245	2234	1265	2359	240	295	
	106"	2340	1320	2360	1340	2485	240	295	
	110"	2435	1370	2455	1390	2580	240	295	
	112"	2479	1394	2499	1414	2624	240	295	
	120"	2656	1494	2676	1514	2801	240	295	
	135"	2989	1681	3009	1701	3134	240	295	
	150"	3320	1868	3340	1888	3465	240	295	
	175"	3874	2179	3894	2199	4019	240	295	
	200"	4428	2491	4448	2511	4573	240	295	
220"	4870	2740	4890	2760	5015	240	295		
2.35:1	100"	2337	995	2357	1015	2482	240	295	
	110"	2571	1094	2591	1114	2716	240	295	
	120"	2805	1193	2825	1213	2950	240	295	
	127"	2968	1263	2988	1283	3113	240	295	
	130"	3038	1293	3058	1313	3183	240	295	
	140"	3272	1392	3292	1412	3417	240	295	
	150"	3506	1492	3526	1512	3651	240	295	
	160"	3740	1591	3760	1611	3885	240	295	
	170"	3973	1691	3993	1711	4118	240	295	
	180"	4207	1790	4227	1810	4352	240	295	
	190"	4441	1890	4461	1910	4586	240	295	
	200"	4674	1989	4694	2009	4819	240	295	

Sizes and specifications are subject to change without notice.



Zero 7mm Fixed Frame

- Aluminum alloy frame – A unique design for who love the thin bezel frame screen, the outward appearance is just like an LED TV.
- Easy installation – Special magnet mounting system makes the installation very easy and efficient.
- Structure – Strong aluminum alloy maintains the screen flat and the weight of whole screen is light.
- Maximum size – 150”(16:9)
- Screen selection – Pure White/Pure Grey/HD100/HD Grey 80/HD130E/HD Grey 150/HD130/HD Grey 70/3D Optical/HD Rear/Dual Vision/Acoustic Perf HD130/Acoustic Perf HD Grey 70/Acoustic Woven A/Acoustic Woven C

Zero 7mm Fixed Frame



Home theater market

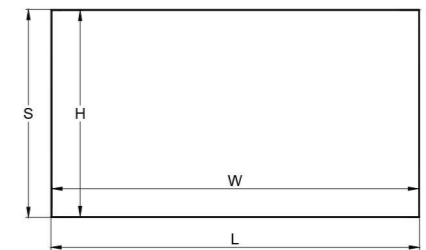


Side View



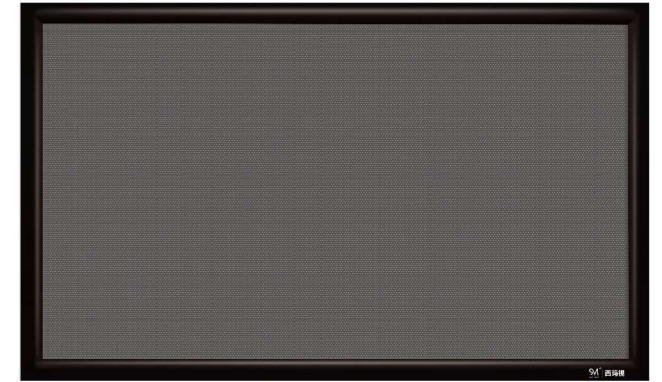
Magnet Mounting System

Format	Spec	Viewing area(mm)		Installation size(mm)		Package(mm)		
		W	H	L	S	L	W	H
16:9	92"	2030	1145	2044	1159	2214	278	233
	100"	2214	1245	2228	1259	2398	278	233
	106"	2340	1320	2354	1334	2524	278	233
	120"	2656	1494	2670	1508	2840	278	233
	133"	2944	1656	2958	1670	3128	278	233
	150"	3321	1868	3335	1882	3505	278	233
2.35:1	100"	2337	995	2351	1009	2521	278	233
	110"	2571	1094	2585	1108	2755	278	233
	120"	2805	1193	2819	1207	2989	278	233
	127"	2968	1263	2982	1277	3152	278	233
	142"	3321	1413	3335	1427	3505	278	233



Sizes and specifications are subject to change without notice.

Micro Perforation Acoustic



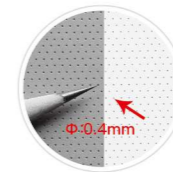
Side View



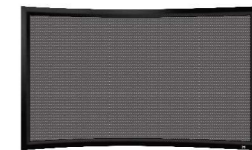
Accessories
(PatentNo.CN20635239U)



Frames
Assembly



Enlarged View



Curved Frame Version

Format	Spec	Viewing area(mm)		Installation size(mm)		Package(mm)			Dimensions
		W	H	L	S	L	W	H	
16:9	77"	1704	958	1864	1118	1984	200	250	
	92"	2030	1145	2190	1305	2310	200	250	
	100"	2214	1245	2374	1405	2494	200	250	
	106"	2340	1320	2500	1480	2620	200	250	
	120"	2656	1494	2816	1654	2936	200	250	
	133"	3048	1715	3208	1875	3328	200	250	
	150"	3320	1868	3480	2028	3600	200	250	
	158"	3498	1968	3658	2128	3778	200	250	
180"	3984	2240	4144	2400	4264	200	250		
16:10	79"	1704	1065	1864	1225	1984	200	250	
	93"	2030	1268	2190	1428	2310	200	250	
	103"	2214	1384	2374	1544	2494	200	250	
	109"	2340	1463	2500	1623	2620	200	250	
	123"	2656	1660	2816	1820	2936	200	250	
	136"	3048	1905	3208	2065	3328	200	250	
	154"	3320	2075	3480	2235	3600	200	250	
	162"	3498	2186	3658	2346	3778	200	250	
184"	3984	2490	4144	2650	4264	200	250		

Sizes and specifications are subject to change without notice.



Micro Perforation Acoustic

Designed for high-end home theatre market, the speakers can be hidden behind the screen. The perfect images can be presented naturally under with minimal sound transmission loss impact, which creates a truly immersive experience.

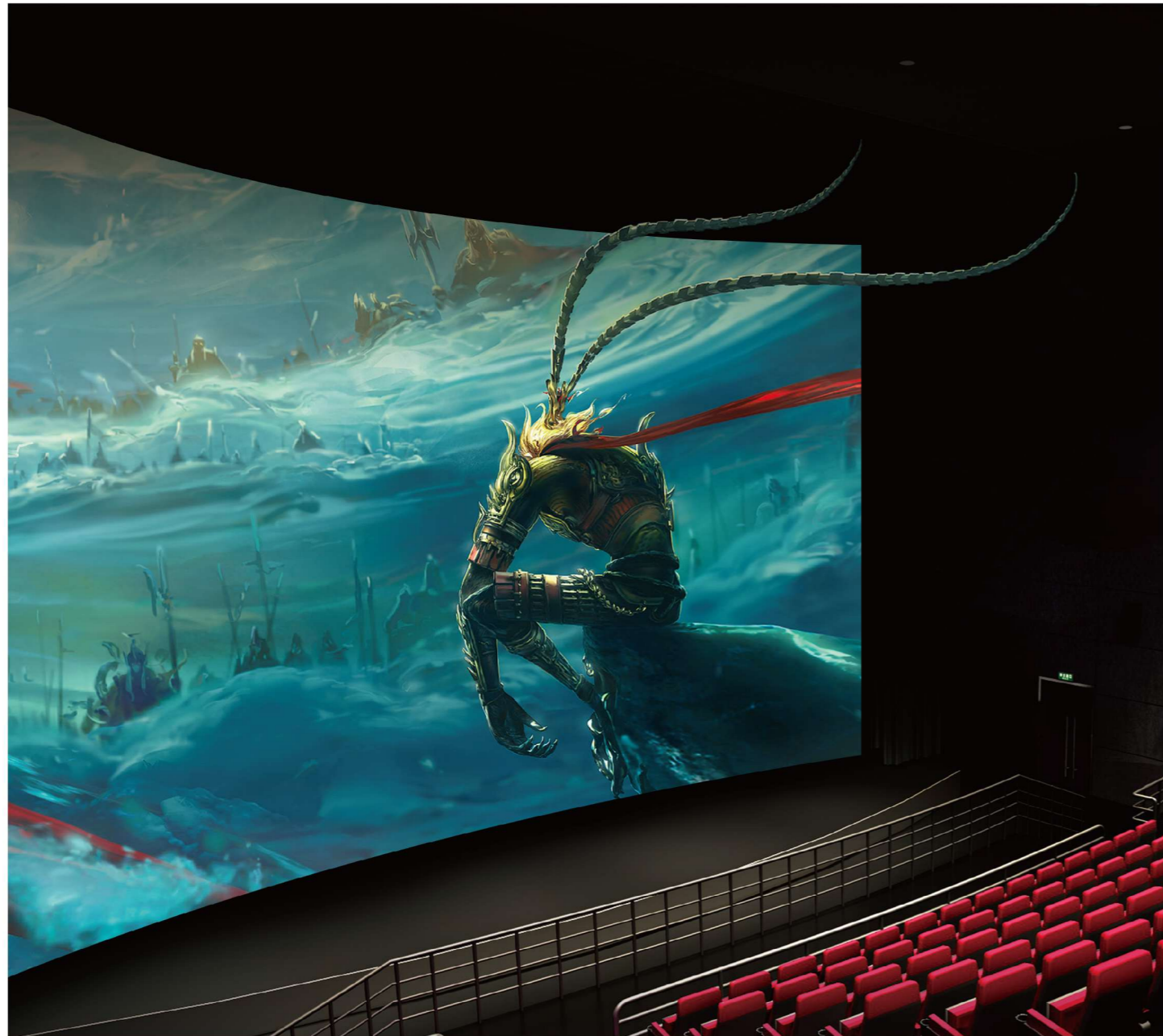
Screen materials – This grey front projection materials is from Europe. The characteristic grey coating makes an excellent light absorption, maintains the original white, enhances the black and to a septuple contrast. Wide viewing angle ensures the high definition output without any resolution reduction. 0.4mm perforated size and 5.89% density provide an excellent sound transmission, especially for the mid-high audio frequency.

Suitable for – Fixed Frame/Curved Frame/Tab-tensioned

Screen selection – Acoustic Perf HD Grey 70/Acoustic Perf HD 130

Specifications

Gain: 0.7 Viewing angle: 160° Thickness: 0.35mm Roller Height: 2400mm Perforation Size: 0.4mm
 Perforated density: 5.89% Perforation per square meter: 300,000 Acoustic transparency: -2.5dB ~ -5.0dB (8KHz-16KHz)



Highland/Alpine Curved Frame

Aluminum alloy frame – The curved fixed frame screen is enclosed in an 10 cm and 8cm attractive velvet wrapped lightweight alloy curved frame, a special design for the natural curve of human eyes.

Excellent picture quality – Suitable for high definition television/movies, the curved shape design brings your pictures to life.

Easy installation – Easy installation with clap-on mounting bracket system, also available as an in-wall display.

Specification selection – Video, HDTV and 2.35:1 formats are available for size up to 300”

Adjustable tension system – The adjustable system ensures that the screen is as flat and level as a mirror.

Screen selection – Pure White/Pure Grey/HD100/HD Grey 80/HD130E/HD Grey 150/HD130/HD Grey 70/3D Optical/HD Rear/Dual Vision/Acoustic Perf HD130/Acoustic Perf HD Grey 70/Acoustic Woven A/Acoustic Woven C

Highland/Alpine Curved Frame



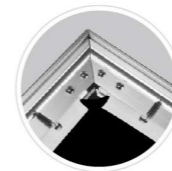
Home theater market



Side View



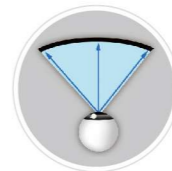
Accessories
(PatentNo.CN20635239U)



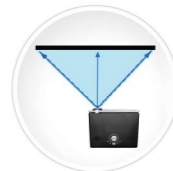
Frames Assembly



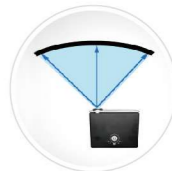
Springs System



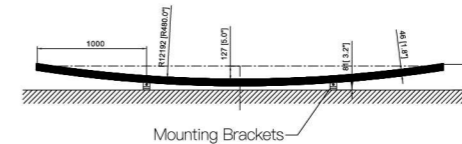
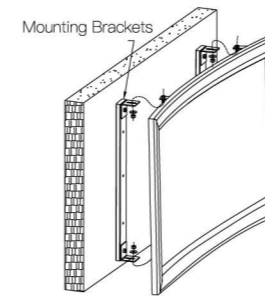
Focal Length



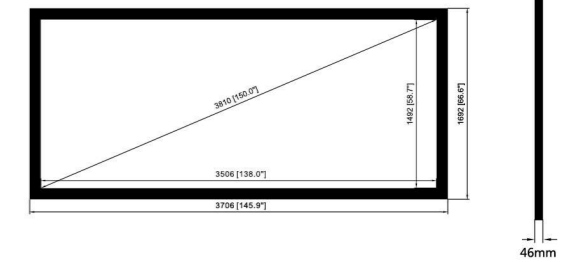
Projection Distance



Comparison



150" 2.35:1



Format	Spec	Viewing area(mm)		Installation size(mm)		Package(mm)		
		W	H	L	S	L	W	H
2.35:1	100"	2337	995	2537	1195	2747	360	300
	110"	2571	1094	2771	1294	2981	360	300
	120"	2805	1193	3005	1393	3215	360	300
	130"	3038	1293	3238	1493	3448	360	300
	140"	3272	1392	3472	1592	3682	360	300
	150"	3506	1492	3706	1692	3916	360	300
	160"	3740	1591	3940	1791	4150	360	300
	170"	3973	1691	4173	1891	4383	360	300
	180"	4207	1790	4407	1990	4617	360	300
	190"	4441	1890	4641	2090	4851	360	300
	200"	4674	1989	4874	2189	5084	360	300

Sizes and specifications are subject to change without notice.



Radiant ALR Motorized

Easy Installation – Adjustable floating L-brackets make ceiling or wall installation extremely easy.

Stylish and durable – The alloy aluminum outer case is stylish and durable, available in white or black color. The slim bottom bar will retract into the case as a cover.

Motor in roller design – Special motor in roller design maintains a quiet and smooth operation.

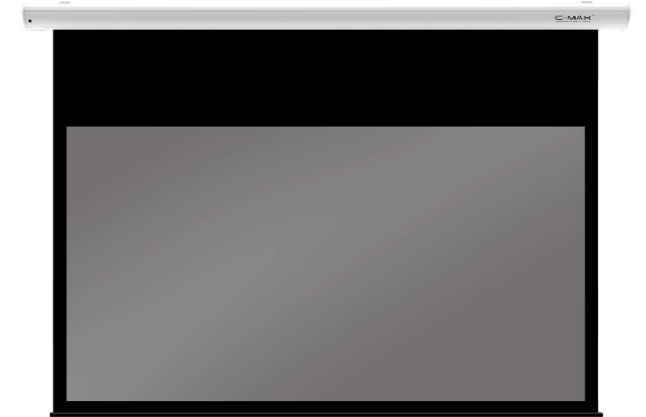
Equipped with quiet motor – Equipped with quiet motor for quiet operation.

Equipped with a 3-button in-line switch – All of Seemax control systems are available for this model screen, for detailed information please refer to pages “Control Options”.

Screen Surface – Optical front projection 0.8 gain, 4K compatible whatever projection in brightly lit environments or dark room, can achieve perfect images up to 7 times higher contrast than conventional front screen’s.

Screen selection – Clear Black

Radiant ALR Motorized



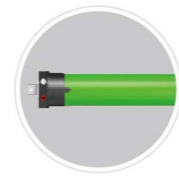
Case



Bottom Bar
(Patent No.CN206353242U)



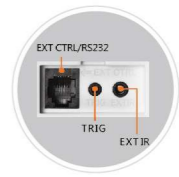
Controller



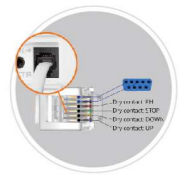
Quiet Motor



Comparison



Smart Control
Jack



RS232 or
Central Control

Format	Spec	Viewing area(mm)		Black drop(mm)			Case size(mm)			Package(mm)			Dimensions
		W	H	T	B	L/R	A	D	H ₂	L	W	H	
16:9	80"	1771	996	300	50	50	2114	113	104	2441	158	165	
	82"	2030	1145	300	50	50	2373	113	104	2700	158	165	
	100"	2214	1245	300	50	50	2557	113	104	2884	158	165	
	106"	2340	1320	300	50	50	2683	113	104	3010	158	165	
	110"	2435	1370	300	50	50	2778	113	104	3105	158	165	
16:10	80"	1723	1077	300	50	50	2066	113	104	2393	158	165	
	92"	1982	1238	300	50	50	2325	113	104	2652	158	165	
	100"	2154	1346	300	50	50	2497	113	104	2824	158	165	
	106"	2283	1427	300	50	50	2626	113	104	2953	158	165	
	109"	2348	1467	300	50	50	2691	113	104	3018	158	165	
2.35:1	103"	2407	1024	300	50	50	2750	113	104	3077	158	165	
	115"	2688	1144	300	50	50	3031	113	104	3358	158	165	
	125"	2921	1243	300	50	50	3264	113	104	3591	158	165	
	130"	3038	1293	300	50	50	3381	113	104	3708	158	165	
	140"	3272	1392	300	50	50	3615	113	104	3942	158	165	
150"	3436	1462	300	50	50	3779	113	104	4106	158	165		

Sizes and specifications are subject to change without notice.



Radiant ALR Rimless Fixed Frame

Size selection – middle & long throw ambient light-rejecting front screen, maximum size is up to 120 inch with ratio 16:9, 100 inch with ratio 16:10. Ultra-thin aluminum frame and unique spring tension system ensure the screen flat as the mirror.

Screen feature – Adapting to middle & long throw projector, this front screen material which is imported from Japan, it has 7 times optical coating, more than 10 times contrast than conventional front screen, 2 times brightness of projector, the light from the ceiling and ambient light could be rejected, the contrast of projection imaging could be increased, thus eliminate the dependence for the dark environment and present the perfect projection image.

The unique feature of this optical screen is that no matter the bright or dark cinema environment, any projection image will be showed perfectly, any middle & long throw projectors are applicable, ISF compatible.

Gain : 0.8, Viewing angle : 170°

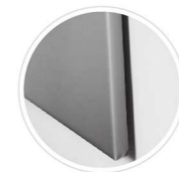
Easy installation – Wall type bracket

Optional : LED colorful back-lighting strip

Screen selection – Clear Black

Radiant ALR

Rimless Fixed Frame



Rimless Frame



Led Light Strip (optional)

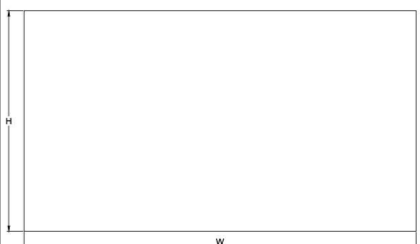


Magnet Mounting System



Comparison

Format	Spec	Viewing area(mm)		Installation size(mm)		Package(mm)		
		W	H	L	S	L	W	H
16:9	77"	1704	958	1792	1046	1874	245	290
	92"	2030	1145	2218	1233	2200	245	290
	100"	2214	1245	2302	1333	2384	245	290
	106"	2340	1320	2428	1408	2510	245	290
	110"	2435	1370	2523	1458	2605	245	290
118"	2612	1469	2700	1557	2782	245	290	
16:10	79"	1704	1065	1792	1153	1874	245	290
	93"	2030	1268	2118	1356	2200	245	290
	103"	2214	1384	2302	1472	2384	245	290
	109"	2340	1463	2428	1551	2510	245	290
2.35:1	100"	2337	995	2425	1083	2507	245	290
	110"	2571	1094	2659	1182	2741	245	290
	120"	2805	1193	2893	1281	2975	245	290
	127"	2968	1263	3056	1351	3138	245	290
	130"	3038	1293	3126	1381	1689	245	290
	133"	3108	1323	3196	1411	1724	245	290
140"	3272	1392	3360	1480	1806	245	290	



Sizes and specifications are subject to change without notice.



Radiant ALR 7mm Fixed Frame

Size selection – middle & long throw ambient light-rejecting front screen, maximum size is up to 120 inch with ratio 16:9, 100 inch with ratio 16:10. Ultra-thin aluminum frame and unique spring tension system ensure the screen flat as the mirror.

Screen feature – Adapting to middle & long throw projector, this front screen material which is imported from Japan, it has 7 times optical coating, more than 10 times contrast than conventional front screen, 2 times brightness of projector, the light from the ceiling and ambient light could be rejected, the contrast of projection imaging could be increased, thus eliminate the dependence for the dark environment and present the perfect projection image.

The unique feature of this optical screen is that no matter the bright or dark cinema environment, any projection image will be showed perfectly, any middle & long throw projectors are applicable, ISF compatible.

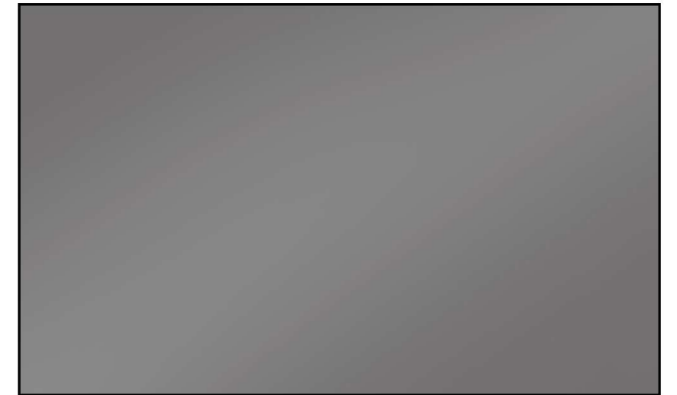
Gain : 0.8, Viewing angle : 170°

Optional : LED colorful back-lighting strip

Screen selection – Clear Black

Radiant ALR

7mm Fixed Frame



home
theater
market



commercial
market



7mm Thin Bezel

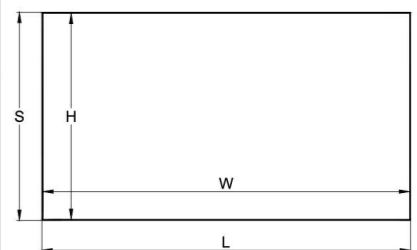


Magnet
Mounting System



Comparison

Format	Spec	Viewing area(mm)		Installation size(mm)		Package(mm)		
		W	H	L	S	L	W	H
16:9	77"	1704	958	1799	1053	1874	245	290
	92"	2030	1145	2125	1240	2200	245	290
	100"	2214	1245	2309	1340	2384	245	290
	106"	2340	1320	2435	1415	2510	245	290
	110"	2435	1370	2530	1465	2605	245	290
118"	2612	1469	2707	1564	2782	245	290	
16:10	79"	1704	1065	1799	1160	1874	245	290
	93"	2030	1268	2125	1363	2200	245	290
	103"	2214	1384	2309	1479	2384	245	290
	109"	2340	1463	2435	1558	2510	245	290
2.35:1	100"	2337	995	2425	1083	2507	245	290
	110"	2571	1094	2659	1182	2741	245	290
	120"	2805	1193	2893	1281	2975	245	290
	127"	2968	1263	3056	1351	3138	245	290



Sizes and specifications are subject to change without notice.



Radiant ALR

8cm Fixed Frame



Side View



Accessories
(PatentNo.CN20635239U)



Frames Assembly

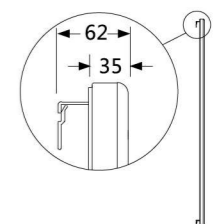
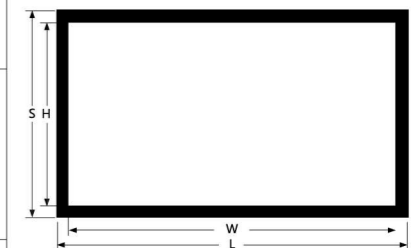


Springs System



Comparison

Format	Spec	Viewing area(mm)		Installation size(mm)		Package(mm)		
		W	H	L	S	L	W	H
16:9	77"	1704	958	1864	1118	1984	200	250
	92"	2030	1145	2190	1305	2310	200	250
	100"	2214	1245	2374	1405	2494	200	250
	106"	2340	1320	2500	1480	2620	200	250
	118"	2612	1469	2772	1629	2892	200	250
16:10	79"	1704	1065	1864	1225	1984	200	250
	93"	2030	1268	2190	1428	2310	200	250
	103"	2214	1384	2374	1544	2494	200	250
	109"	2340	1463	2500	1623	2620	200	250



Radiant ALR 8cm Fixed Frame

Aluminum alloy frame – It's enclosed in an 8cm attractive velvet wrapped light weight alloy frame.

Excellent picture quality – Suitable for high definition television/movies.

Installation is easy – Special designed slim bracket for an easy clap-on installation, also available as an in-wall display.

Flexible adjustment – Screen can slide along the brackets to achieve a best view position.

Screen Surface – Optical front projection 0.8 gain, 4K compatible whatever projection in brightly lit environments or dark room, could achieve perfect image up to 7 times higher contrast than conventional front screens

Compatible with all standard mid and long throw projectors.

Screen selection – Clear Black

Sizes and specifications are subject to change without notice.

E-set Fast-fold Screen



E-set Fast-fold Screen

Aluminum alloy frame – The frame is made of aluminum alloy and is easy to fold, unfold and store.

Locking device – Designed locking mechanism provides a flat screen surface when snapping the fabric on.

Easy installation – It can be completely concealed in the freight case when not in use. No parts need to be dismantled, and it can be taken down or set up without any tools.

Hard protective box – All sizes are equipped with a special reinforcement explosion-proof transportation freight case

Frame size – 32mm for screen size up to 200”.

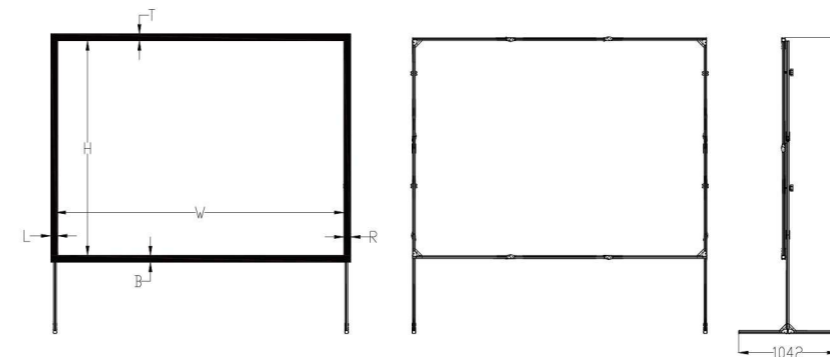
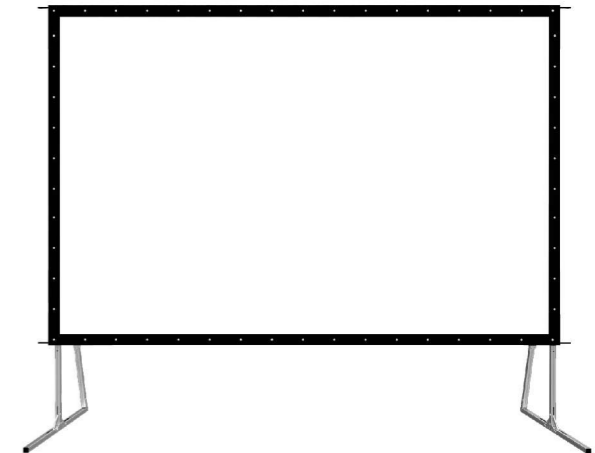
Customized size is available.

Screen selection – Pure White/Pure Grey/HD Rear/Dual Vision

A wide range of uses – Ideal for exhibitions, entertainment venues and outdoor etc.



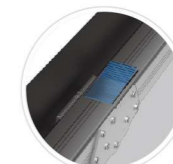
Rental
market



Locking Device



Easy
Installation



Locking Device



Adjustment



Freight Case

Format	Spec	Viewing area(mm)		H(mm)	W(mm)	Package(mm)		
		W	H			L	W	H
4:3	100"	2033	1524	75	32x32	1235	435	220
	120"	2438	1830	75	32x32	1440	435	240
	150"	3048	2286	75	32x32	1380	435	260
	180"	3658	2743	75	32x32	1610	435	280
	200"	4064	3048	75	32x32	1760	435	300
16:9	100"	2214	1245	75	32x32	1330	435	220
	120"	2656	1494	75	32x32	1550	435	240
	150"	3321	1868	75	32x32	1305	435	260
	180"	3985	2241	75	32x32	1525	435	280
	200"	4428	2491	75	32x32	1670	435	300
16:10	100"	2154	1346	75	32x32	1300	435	220
	120"	2585	1615	75	32x32	1515	435	240
	150"	3231	2019	75	32x32	1275	435	260
	180"	3877	2423	75	32x32	1490	435	280
	200"	4308	2692	75	32x32	1635	435	300

Sizes and specifications are subject to change without notice.



Heavy Duty E-set Fast-fold Screen

Aluminum alloy frame – The frame is made of aluminum alloy and is easy to fold, unfold and store.

Locking device – The structure is specially designed to ensure a perfect flat screen.

Easy installation – It can be completely concealed in the freight case when not in use. No parts need to be dismantled, and it can be taken down or set up without any tools.

Hard protective box – Extremely durable LLDPE transporting case is suitable for all sizes.

Frame size – Frame and legs are made of strong 64mm wide by 32mm thick aluminum tubing.

Customized size is available.

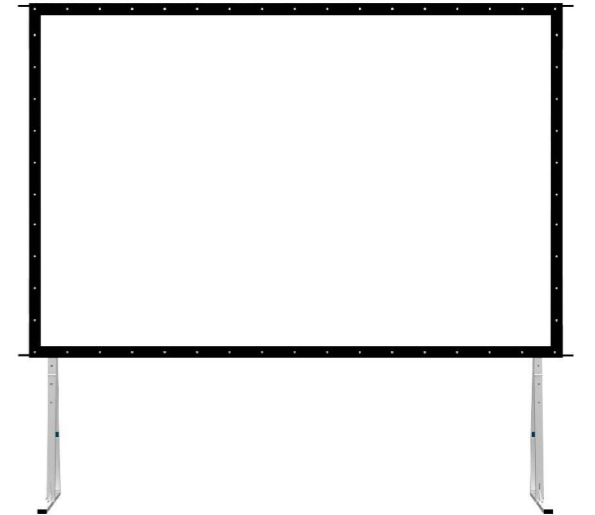
A wide range of uses – Ideal for exhibitions, entertainment venues and outdoor etc.

Screen selection – Pure White/Pure Grey/HD Rear/Dual Vision

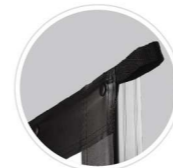
Heavy Duty E-set Fast-fold Screen



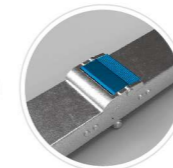
Rental
market



Locking Device



Easy
Installation



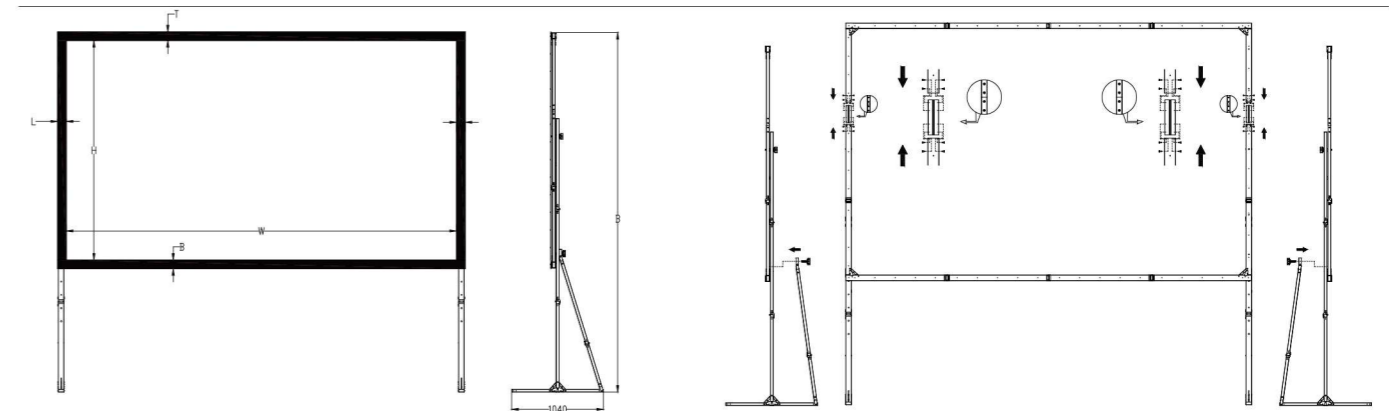
Locking Device
(Patent No.CN206353243U)



Adjustment



Freight Case



Format	Spec	Viewing area(mm)		H(mm)	W(mm)	Package(mm)		
		W	H			L	W	H
4:3	250"	5080	3810	100	32x64	1700	450	600
	300"	6096	4572	100	32x64	1690	540	500
16:9	250"	5531	3112	100	32x64	1520	500	500
	300"	6637	3734	100	32x64	1690	540	500

Sizes and specifications are subject to change without notice.



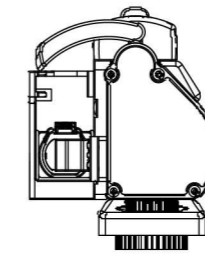
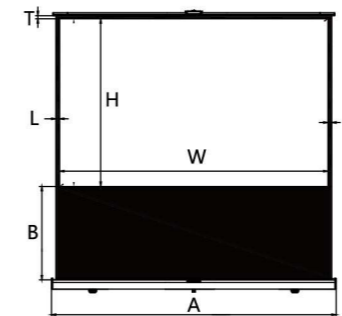
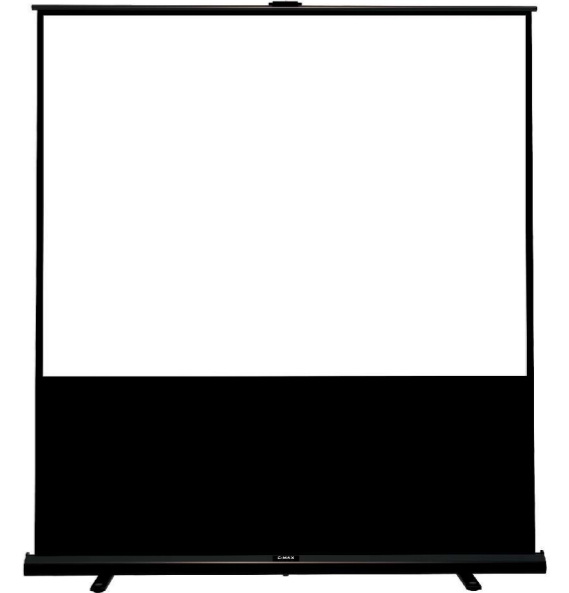
C.max Manual Portable



Rental market



Home theater market



Case



Lock



Support Bar

C.max Manual Portable

The special spring mechanism – Aluminum supporting bar, it's portable and stable, no deformation, all adjustments are only one button, easy to operate.

Clean look with black aluminum case – The supporting bar and screen fabric can be retracted back into the case when the screen is not in use.

Supplied with an extra black lower border – This is standard for adjusting to the ideal viewing height.

Two adjusting feet – To ensure the stability, the height of the feet can be adjusted in case the floor is not flat.

Screen selection – Matte white

Format	Spec	Viewing area(mm)		Black drop(mm)			Package(mm)		
		W	H	T	B	L	L	W	H
4:3	60"	1219	914	25	750	30	1460	148	177
	80"	1626	1219	25	750	30	1867	148	177
	100"	2030	1520	25	750	30	2271	148	177
16:9	60"	1328	747	25	750	30	1520	148	177
	80"	1771	996	25	750	30	1963	148	177
	92"	2030	1142	25	750	30	2222	148	177
16:10	60"	1292	808	25	750	30	1484	148	177
	80"	1723	1077	25	750	30	1915	148	177
	100"	2154	1346	25	750	30	2346	148	177

Sizes and specifications are subject to change without notice.

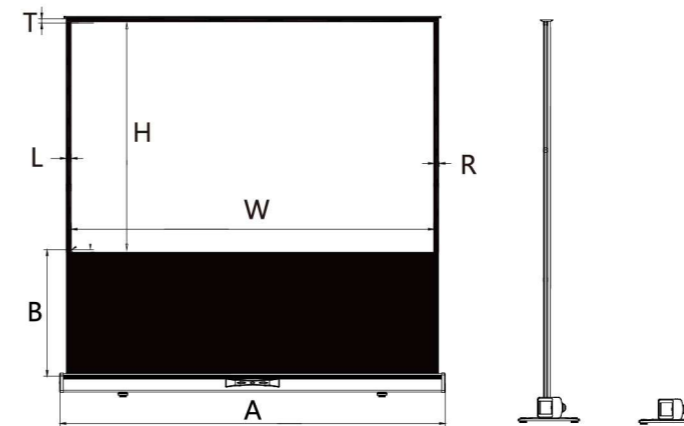
C.MAX Motorized Portable



Rental market



Home theater market



Case



Accessories



Support Bar

C.max Motorized Portable

Easy to carry and operate.

Dynamical systems – Utilize low-noise motor to drive the belt, when the belt rotating makes the double-rhomboid supporting structure fold and unfold to achieve the lifting. Special lifting system realizes to adjust the height easily and smoothly.

Clean look and black aluminum case – The supporting bar and screen fabric could be retracted back into the case when the screen is not used.

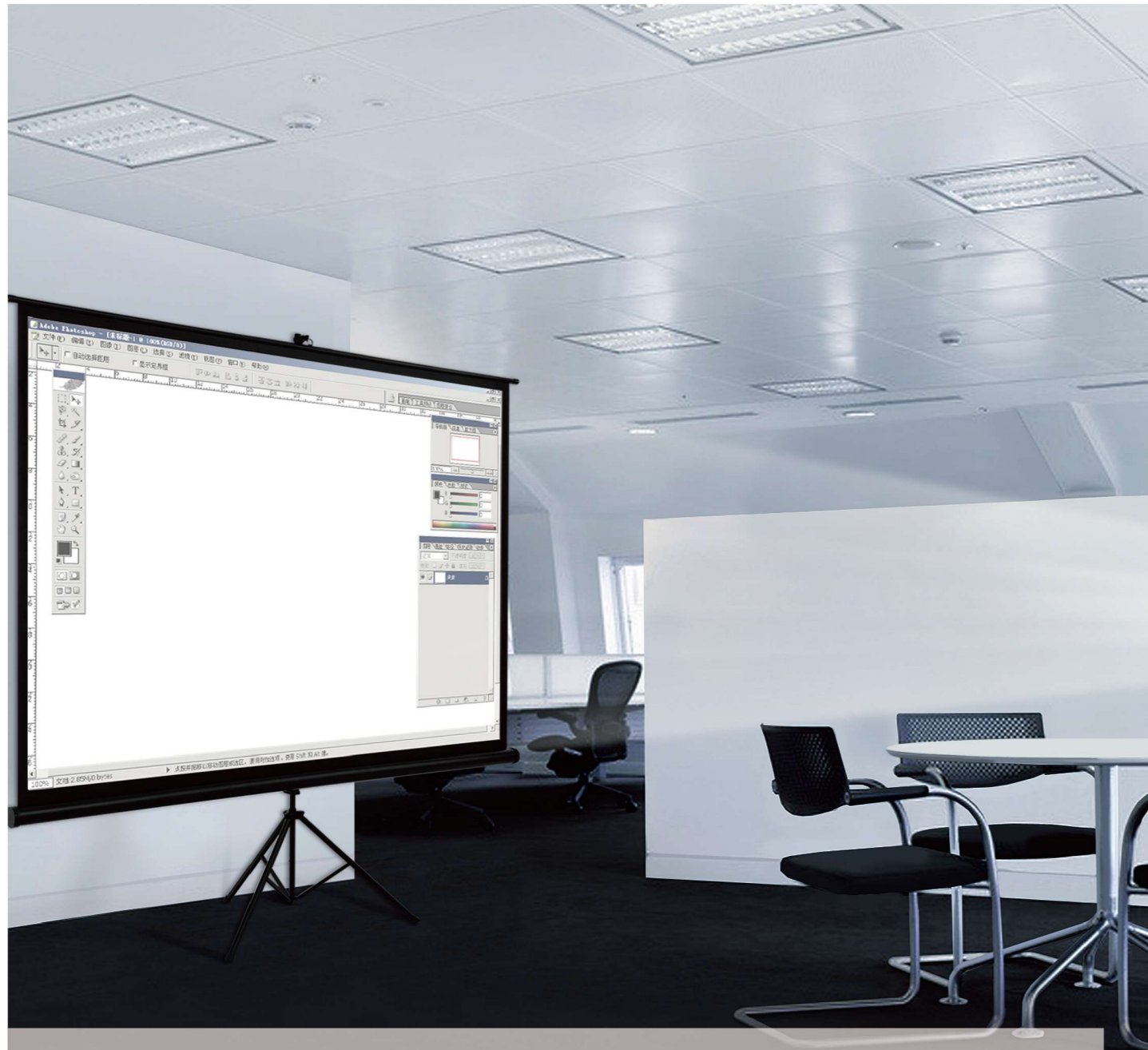
Supplied with an extra black lower border – This is a standard for adjusting to the ideal viewing height.

Two adjusting feet – To ensure the stability, the height of the feet can be adjusted in case the floor is not flat.

Screen selection – Matte white

Format	Spec	Viewing area(mm)		Installation size(mm)			Package(mm)		
		W	H	T	B	L/R	L	W	H
4:3	60"	1219	914	25	750	30	1425	148	177
	80"	1626	1219	25	750	30	1832	148	177
	100"	2030	1520	25	750	30	2236	148	177
16:9	60"	1328	747	25	750	30	1534	148	177
	80"	1771	996	25	750	30	1977	148	177
	92"	2030	1142	25	750	30	2236	148	177
16:10	60"	1292	808	25	750	30	1498	148	177
	80"	1723	1077	25	750	30	1929	148	177
	100"	2154	1346	25	750	30	2360	148	177

Sizes and specifications are subject to change without notice.



Stable Tripod

Structural stability – Stable tripod feet.

Correction of deformation – A special keystone eliminator tilts to help eliminate distortion.

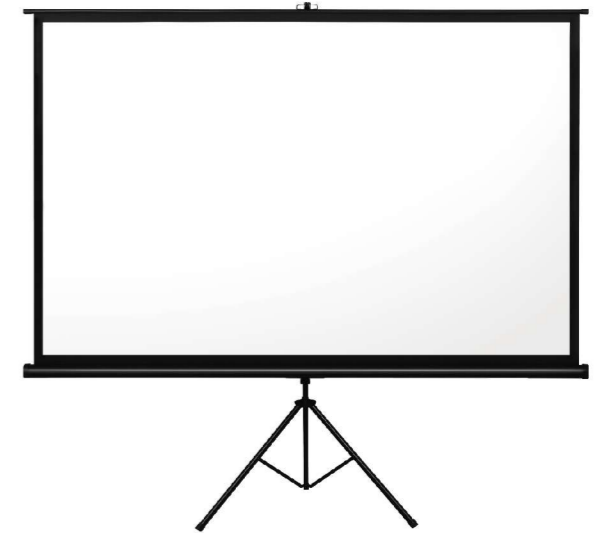
Adjustable brightness – The screen height is adjustable with a locking extension tube, and it can easily suit to different projectors.

Screen selection – Matte White

Stable Tripod



Rental
market



Cylindrical Case



Lock tube



Eliminator



Feet

Format	Spec	Viewing area(mm)		Package(mm)			Dimensions
		W	H	L	W	H	
1:1	50"x50"	1270	1270	1480	175	130	
	60"x60"	1524	1524	1735	175	130	
	64"x64"	1626	1626	1834	175	130	
	70"x70"	1778	1778	1990	175	130	
	80"x80"	2032	2032	2238	175	130	
	84"x84"	2132	2132	2346	175	130	
4:3	65"	1330	998	1521	175	130	
	72"	1473	1105	1664	175	130	
	80"	1580	1185	1771	175	130	
	84"	1707	1280	1915	175	130	
	100"	2032	1524	2238	175	130	
	105"	2134	1600	2346	175	130	
16:9	65"	1330	748	1522	175	130	
	71"	1580	889	1772	175	130	
	83"	1840	1035	2032	175	130	
	92"	2032	1143	2241	175	130	
	97"	2134	1200	2346	175	130	
	106"	2337	1314	2531	175	130	
	110"	2438	1372	2668	175	130	

Sizes and specifications are subject to change without notice.

CM Series

Motorized Projector lift, CM50/100/150



Controller



Joint



Projector

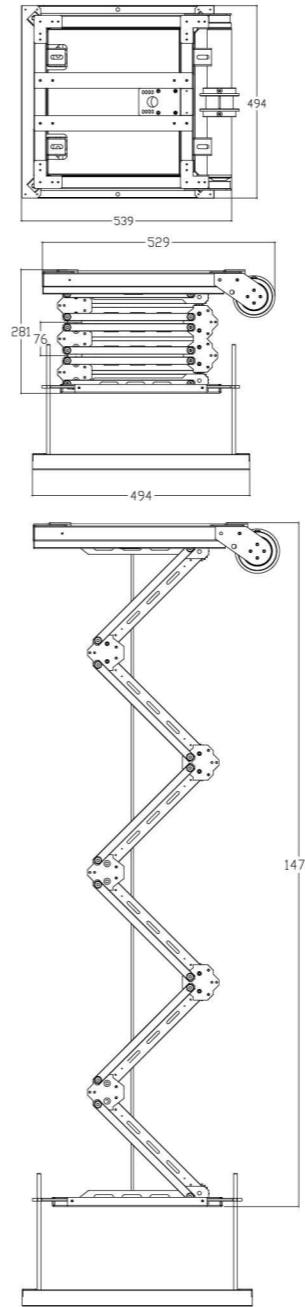


Main Body

Different from the commonly-available scissors structure, CM series motorized projector lift is using a single-armed structure made from aluminum alloy, which can avoid the front-to-back and side-to-side swing problem. The anti-broken structure ensures the security of use. This series including three models CM50 CM100 CM150, customer could choose the proper lift according to the different ceilings. Besides these standard size, we could produce the lift as client's customized requirement within 2 meters travel distance. The weight capacity is 40 kg. Patent No.CN205560196U

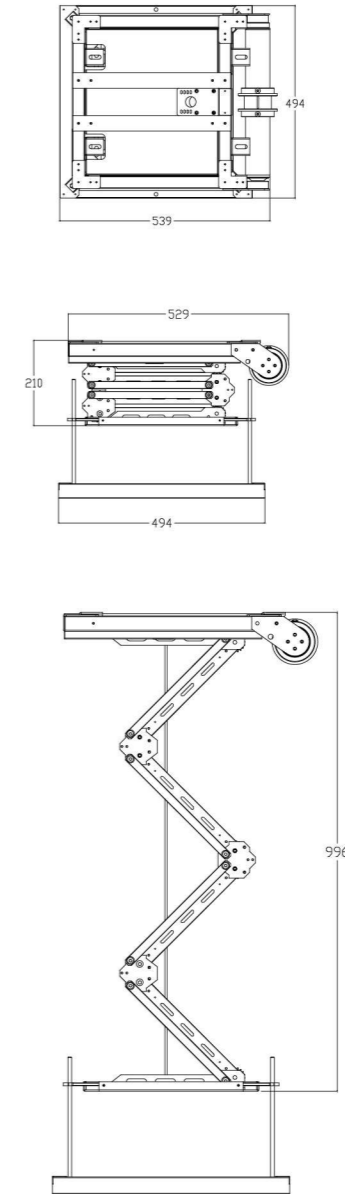


CM150



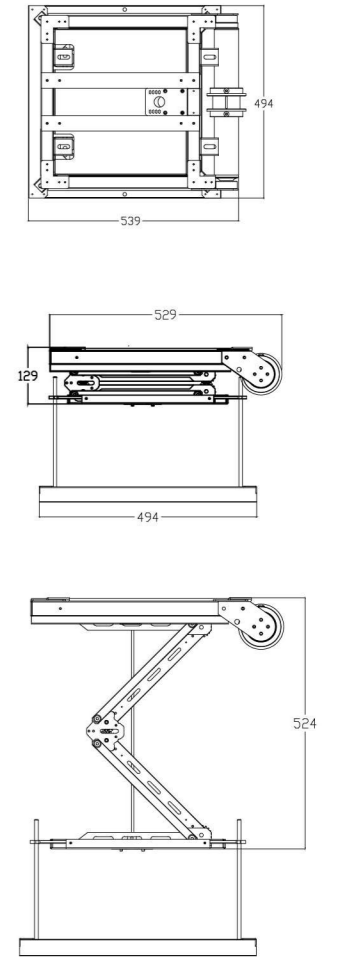
Ultra thin design, thickness is only 260mm, single-armed structure is made from aluminum alloy, which can avoid the front-to-back and side-to-side swing problem.
 Arm sections: 6
 Overall dimension: 453x528x281mm
 Ceiling opening: 500x500mm/550x550mm
 Traveling distance: 290-1500mm
 Distance from ceiling to false ceiling: 520-1500mm

CM100



Ultra thin design, thickness is only 210mm, single-armed structure is made from aluminum alloy, which can avoid the front-to-back and side-to-side swing problem.
 Arm sections: 4
 Overall dimension: 453x528x210mm
 Ceiling opening: 500x500mm/550x550mm
 Traveling distance: 210-990mm
 Distance from ceiling to false ceiling: 450-1000mm

CM50



Ultra thin design, thickness is only 129mm, single-armed structure is made from aluminum alloy, which can avoid the front-to-back and side-to-side swing problem.
 Arm sections: 2
 Overall dimension: 453x528x129mm
 Ceiling opening: 500x500mm/550x550mm
 Traveling distance: 130-520mm
 Distance from ceiling to false ceiling: 350-550mm

CM Series

Ultra Thin Projector lift, CM100D/200D



Controller

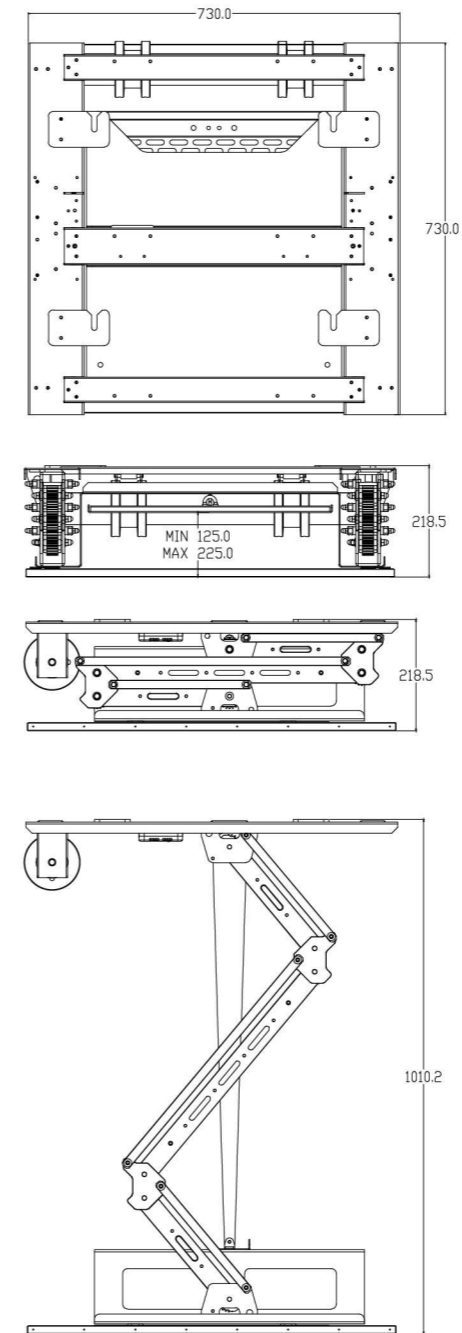
Joint

Main Body

Closed

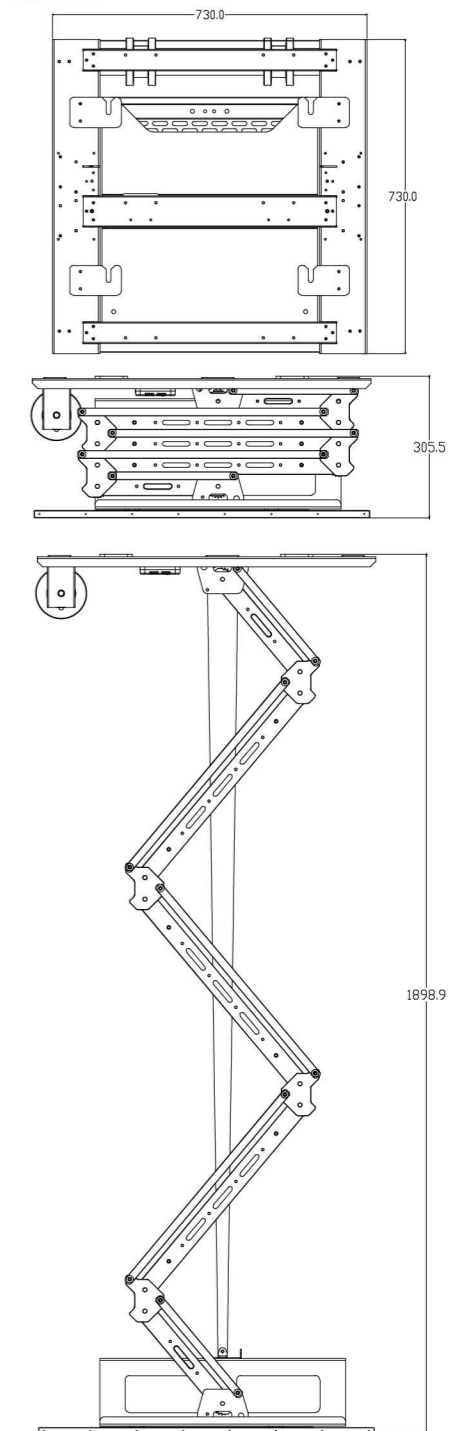
Different from the commonly-available scissors structure, CM series motorized projector lift is using double-armed structure made from aluminum alloy, which can avoid the front-to-back and side-to-side swing problem. The anti-broken structure ensures the security of use. This series includes two models CM100D CM200D. The customer can choose the proper lift according to different ceilings. Besides these standard sizes, we can produce the lift as the client's customized requirement within 2 meters travel distance. The weight capacity is 40 kg. **CE RoHS**

CM100D



ULTRA THIN DESIGN: The thinnest can be 223.50mm (8.8") if the thickness of the installed projector is less than 130mm, travel distance is up to 1020mm (40").
SOLID STRUCTURE: The patented folding arm structure provides with a stable operation without any front-to-back and side-to-side swing issues and accurate repositioning.
EASY INSTALLATION: Quick installation, simple construction, easy accessibility.
WIGHT CAPACITY: 40KG **TRAVEL:** 218.5-1010.2mm
CONTROL: RF/RS232/485 **OPTION:** IP control

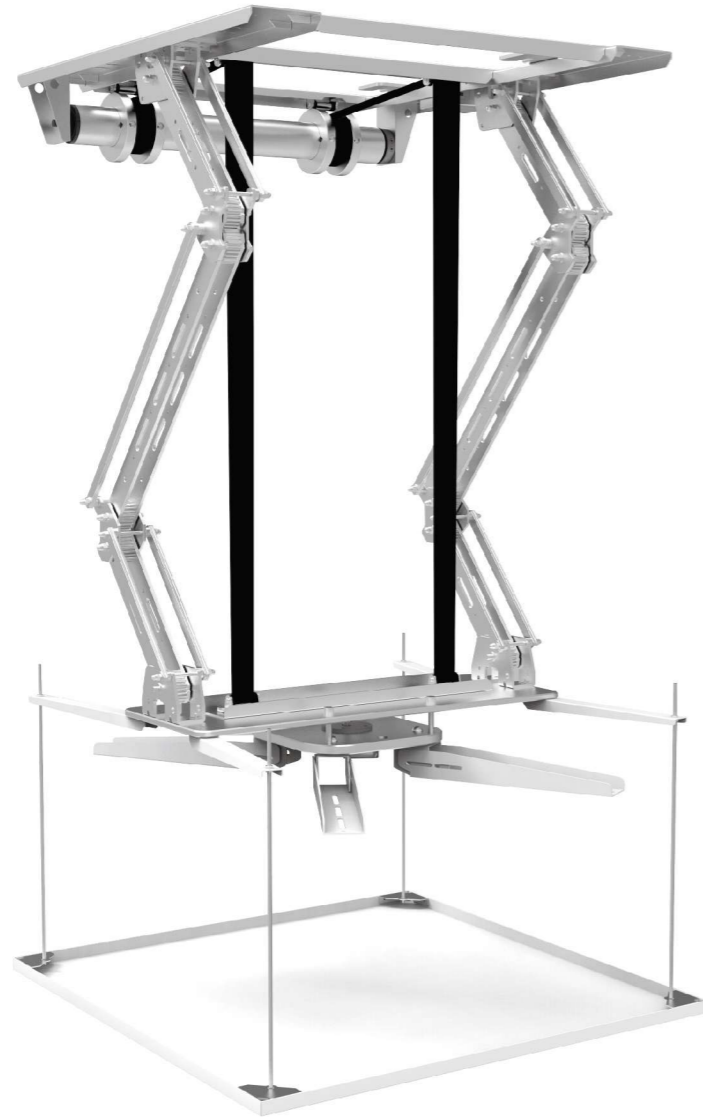
CM200D



ULTRA THIN DESIGN: The thinnest can be 315.50mm (8.8") if the thickness of the installed projector is less than 130mm, travel distance is up to 1910mm (40").
SOLID STRUCTURE: The patented folding arm structure provides with a stable operation without any front-to-back and side-to-side swing issues and accurate repositioning.
EASY INSTALLATION: Quick installation, simple construction, easy accessibility.
WIGHT CAPACITY: 40KG **TRAVEL:** 305.5-1898.9mm
CONTROL: RF/RS232/485 **OPTION:** IP control

CM Series

Ultra Thin Projector Lift, CM100DL/200DL



Remote Controller



Main Body

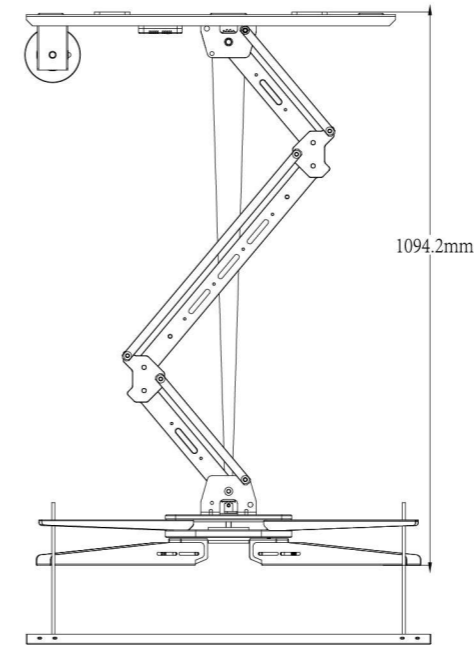
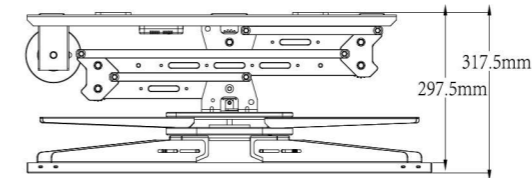
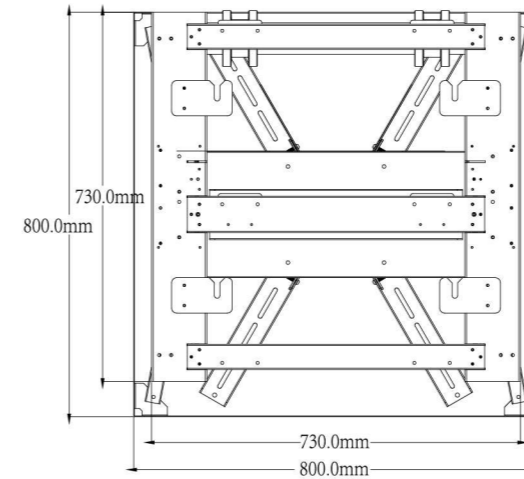


Regulation



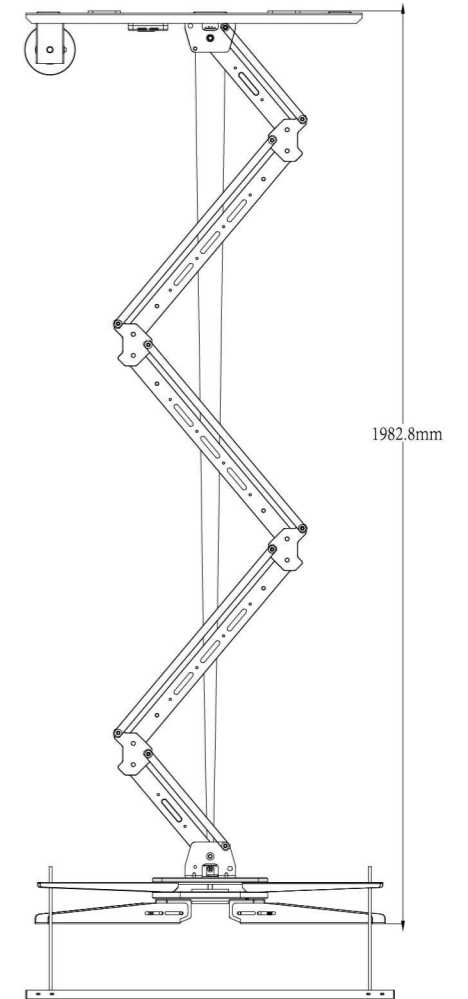
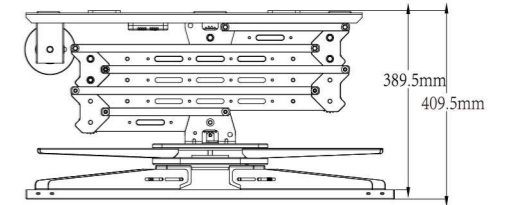
Decoration Plate

Different from the commonly-available scissors structure, CM series motorized projector lift is using double-armed structure made from aluminum alloy, which can avoid the front-to-back and side-to-side swing problem. Hanging claws can fit to mount major of the projectors in the market and is easy for regulating to the proper position. Easy assembly and disassembly provide an efficient workability. Control options: RF/IR, RS232/485, 12V Trigger. Weight capacity: 40kgs. **CE RoHS**



CM100DL

Type: Double-arm Motorized Lift
 Arm's Sections: 3 sections/ arm
 Main Body Size: 730x730x317.5mm
 Cut-out Size: 806x806mm (customizable)
 Travel Distance: 300-1090mm
 Built-in Cable: AC power cord
 Weight Capacity: 40kgs
 Control Options: RF, RS232/485, 12V Trigger



CM200DL

Type: Double-arm Motorized Lift
 Arm's Sections: 5 sections/ arm
 Main Body Size: 730x730x409.5mm
 Cut-out Size: 806x806mm (customizable)
 Travel Distance: 390-1980mm
 Built-in Cable: AC power cord
 Weight Capacity: 40kgs
 Control Options: RF, RS232/485, 12V Trigger

CM Series

Ultra Thin Projector Lift CM85V



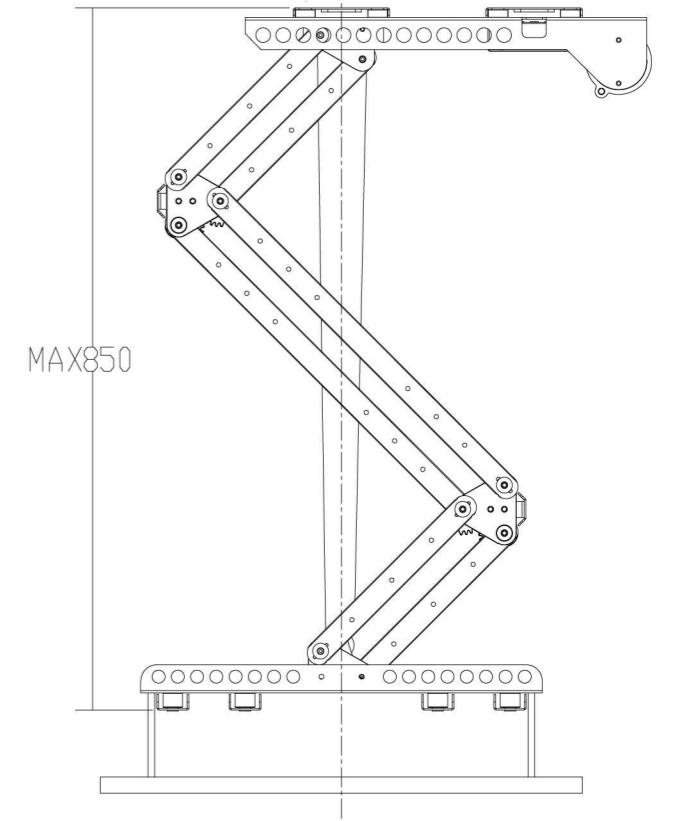
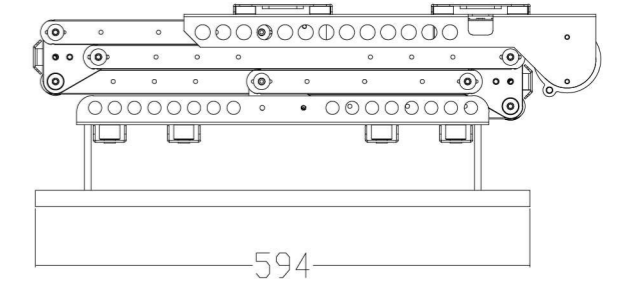
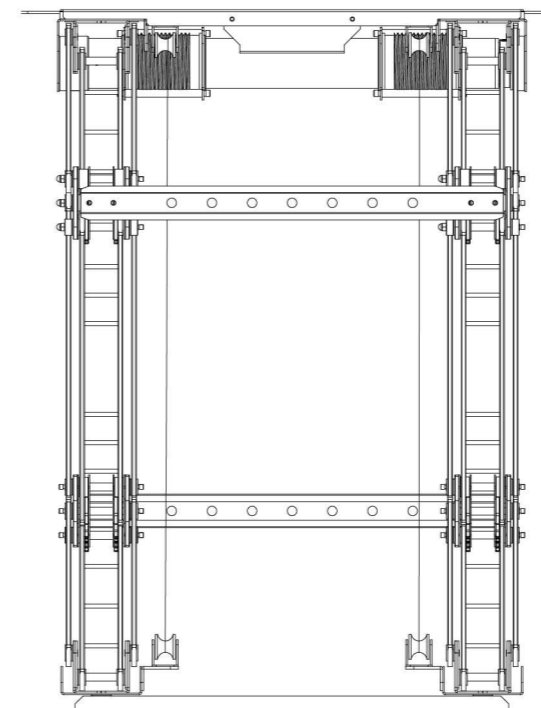
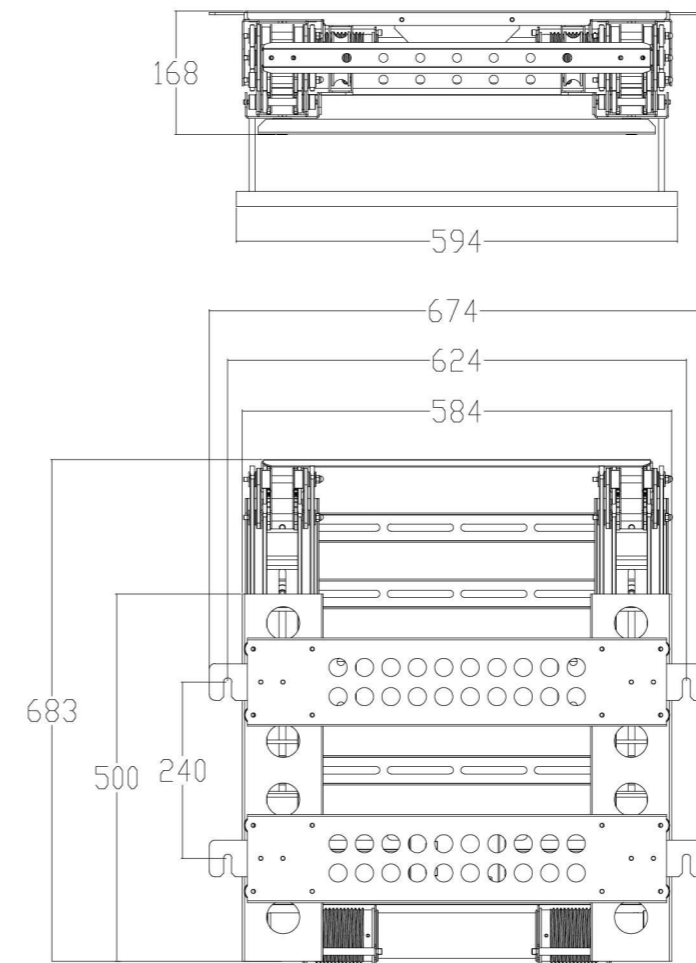
Remote Controller



Joint



Main Body



CM85V
 Type: Double-arm Motorized Lift
 Arm's Sections: 3 sections/ arm
 Main Body Size: 683x674mm
 Cut-out Size: 600x600mm
 Projector Size: <520x520mm
 Travel Distance: 170-850mm
 Built-in Cable: AC power cord
 Weight Capacity: 35kgs
 Control Options: RF, RS232/485, 12V Trigger, IP

Different from the commonly-available scissors structure, CM series motorized projector lift is using double-armed structure made from aluminum alloy, which can avoid the front-to-back and side-to-side swing problem. Precise multi-stop-positioning function can fulfill multi-projection requirements. The horizontal slide block system can cater to mount different projectors in. Easy assembly and disassembly provide an efficient workability. Control options: RF/IR, RS232/485, 12V Trigger. Weight capacity: 35kgs. **CE RoHS**

CM Series

Smart-X Projector Lift, CM76X



Controller



Cable Wiring Duct

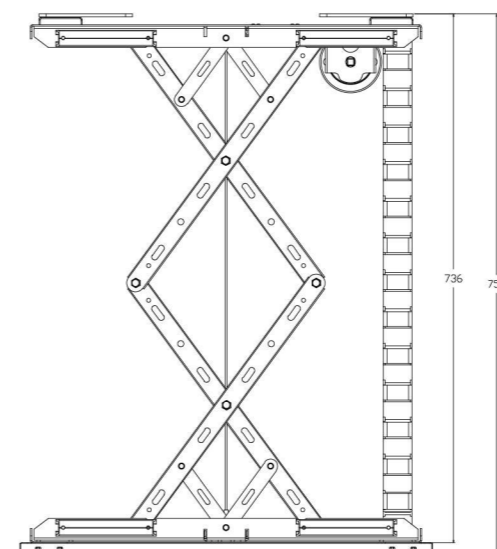
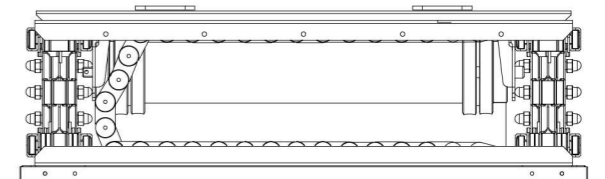
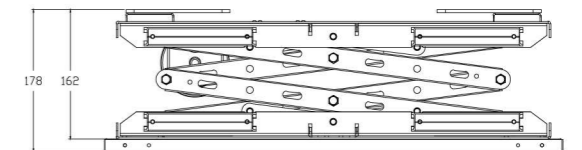
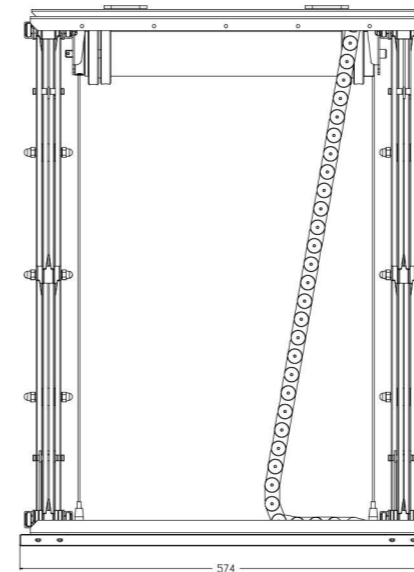
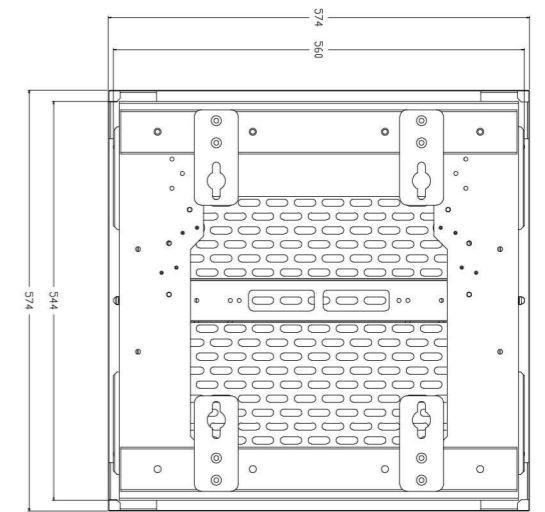
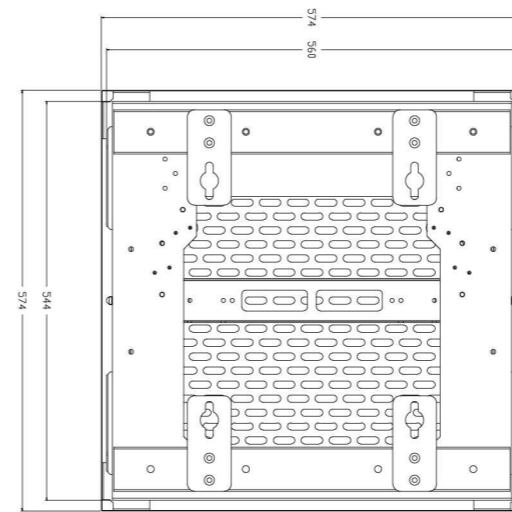


Projector Mount



Main Body

The special foldable design structure is made from iron steel, which can avoid the front-to-back and side-to-side swing problem when in use. The ultra compact dimensions design makes it possible to integrate the lift into even the smallest suspended ceilings. It's especially designed for smaller or medium size projector, which is compatible with home theater and multi-rooms application. The smart-X projector lift is impressed with its quiet lifting movement and smooth operation. It's stability and durable. Patent No : CN207123702U **CE RoHS**



CM76X

- Type: scissors structure
- Body dimension: 544X544X168mm
- Travel distance: 170-750mm
- Recessed height: projector height +170mm
- Built-in cable: AC power cable
- Decorative plate: 574x574mm
- Ceiling opening: 580x580mm
- Projector Size: Max.470c530mm
- Load capacity: 20KG
- Control : RF/RS232/485
- Option : IP control

CM Series

Smart-X Projector Lift, CM76XE



Controller



Cable Wiring Duct

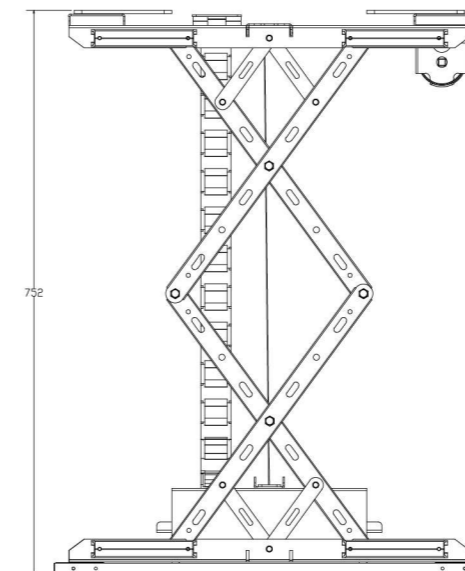
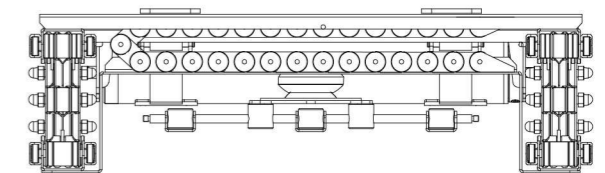
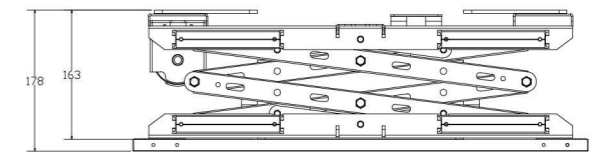
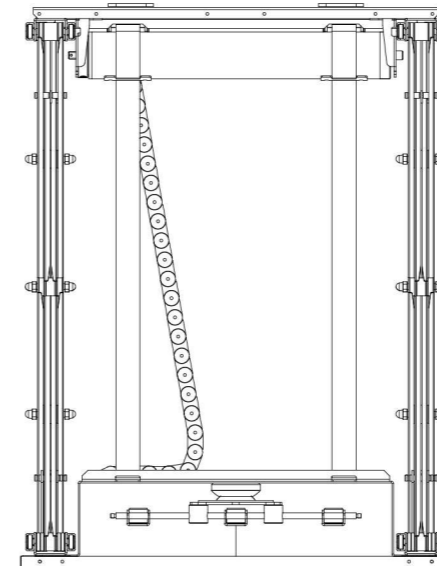
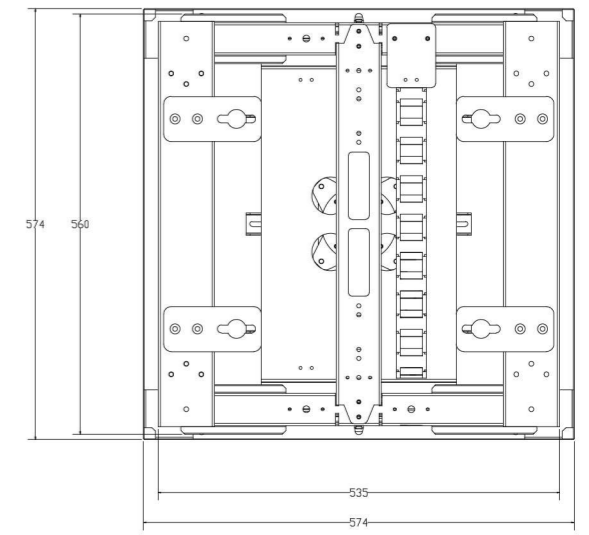
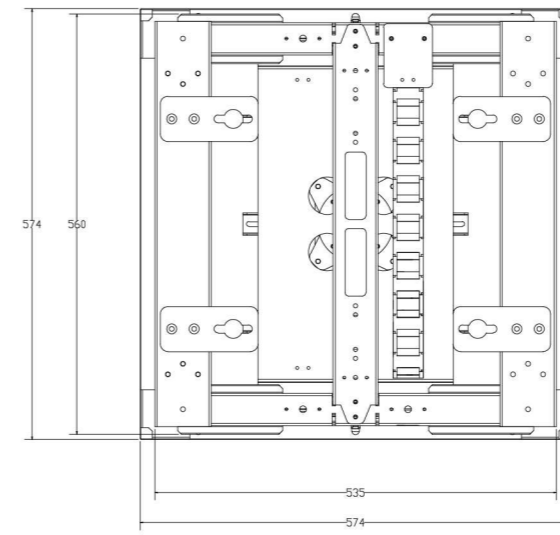


Projector Mount



Main Body

New style ultra thin scissors type projector lift, the reinforced joint design can prevent the pull-apart to ensure the safety when in use. The ultra thin design is thinner than the conventional scissors type lifts in the market. The cable wiring duct provides with an simple cabling process and fashionable outlooking. **CE RoHS**



CM76XE

Body dimension: 74 x 574 x 178mm

Travel distance: 180-750mm

Recessed height: projector height +150mm

Ceiling opening: 580 x 580 mm

Suggestion projector size: ≤ 400 x 400 mm

Pitch: ±10°

Roll: ±10°

Weight capacity: ≤20KG

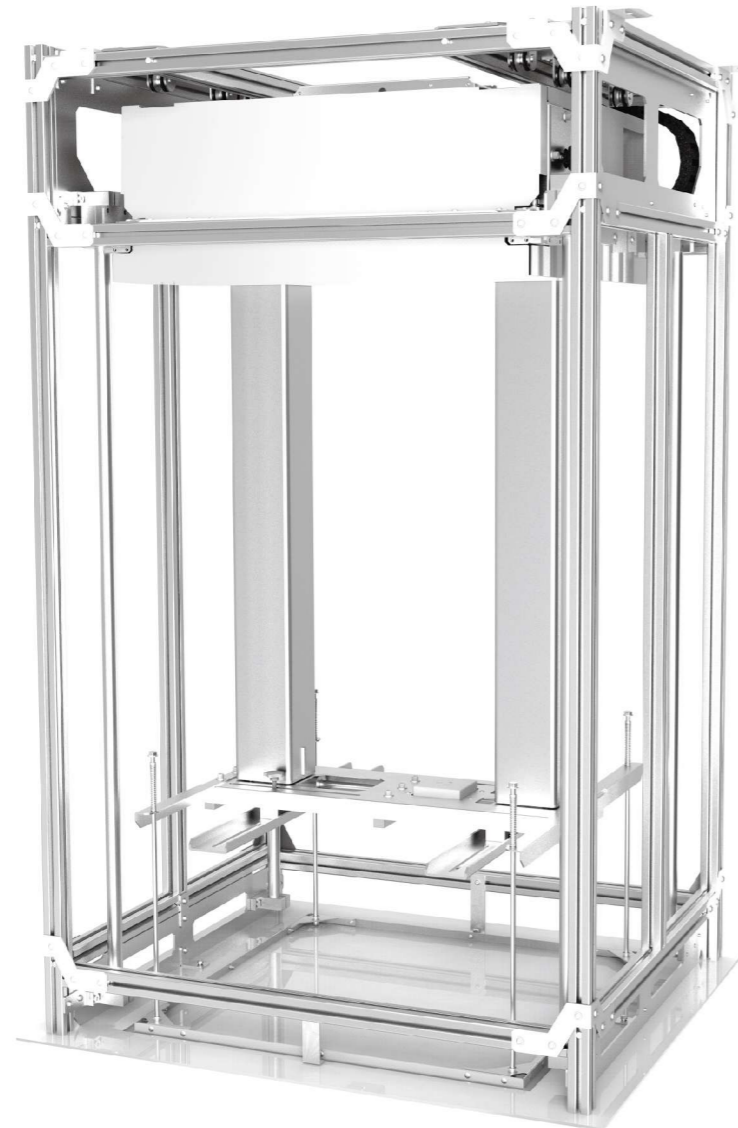
Built-in cable: AC

Control system: RF/RS232/485/12V Trigger

Option: IP control

CM Series

Heavy-duty Telescopic Projector Lift, CM420H



Remote Controller



Cable Wiring Duct

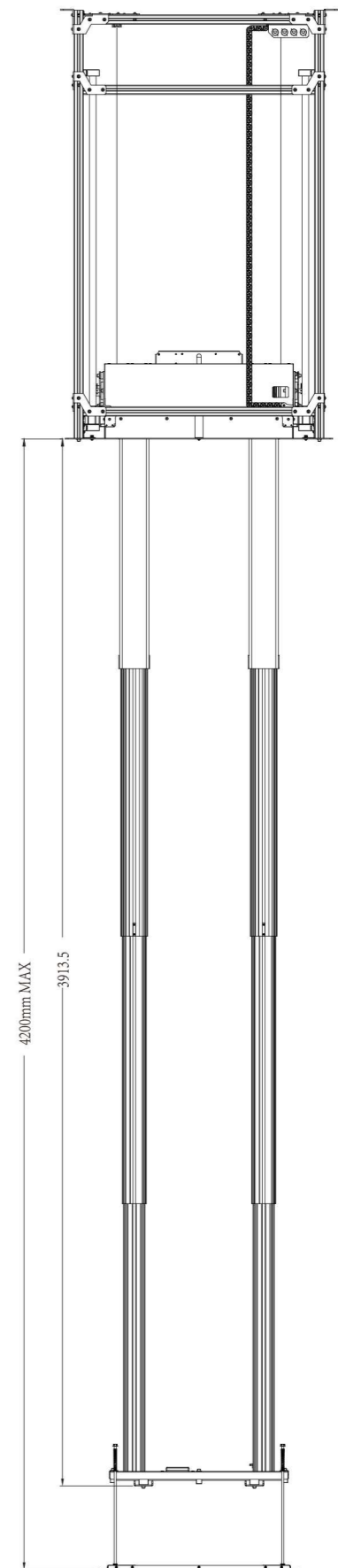
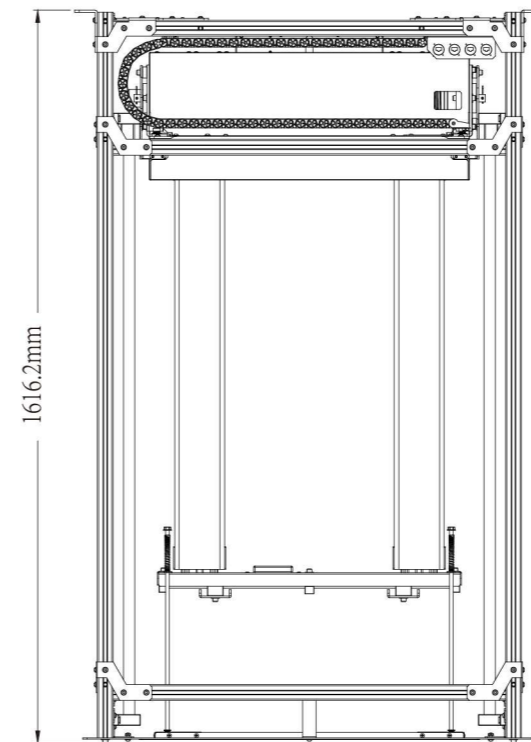
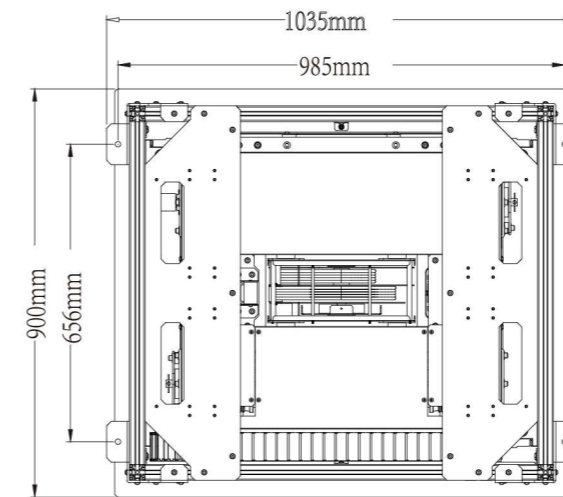


Decoration Plate



Adjusting Claw

Structure and design: Utilizing the dual-telescopic structure prevents the swing problem when in operation. Maximum travel distance is 4.2 meters. The desired stop position can be easily set by the remote controller. Almost all the projectors in the market can be mounted in the flexible claw. Easy assembly and disassembly provide an efficient workability. Control options: RF, RS232/485. Weight capacity: 70kgs. **CE RoHS**



CM420H

Type: Telescopic Projector Lift

Arm's Sections: 4 sections/ arm

Main Body Size: 1035x900x1616mm

Cut-out Size: 960x860mm

Projector size: < 650(L)x650(W)x280(H)

Weight Capacity: 70kgs

Built-in Cable: AC power cord x1, CAT6 cable x 3

Control Options: RF, RS232/485, IP(optional)

Projector Mount S1



Suitable for almost all brands' projectors in the market.

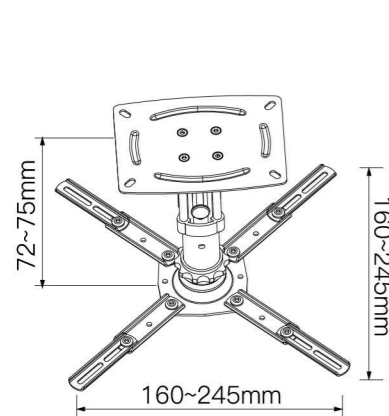
Easy and fast installation. The height of the adjustable bar can be adjusted according to the installation request.

Projector angle regulation – The projector angle can be adjusted easily. Projector can rotate horizontally 360°.

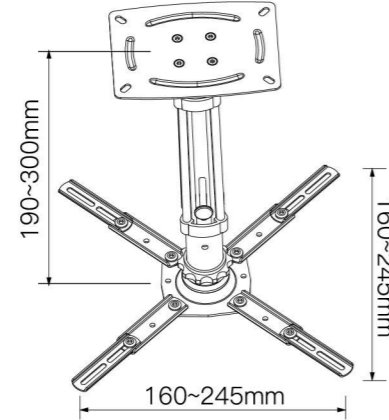
Adjustable feet – The length can be adjusted to fit the distances of the holes on different projectors from 60mm to 245mm.

Weight capacity – Max. 15kg **RoHS**

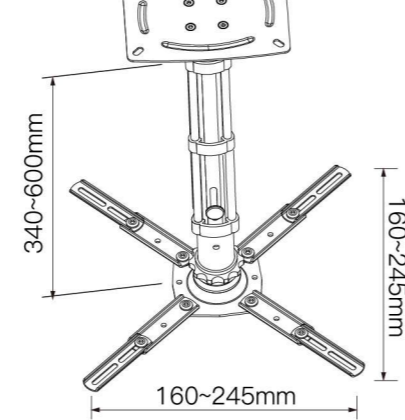
S1-72



S1-190



S1-340



Projector Mount S2



Ultra thin design, only 6.25cm (2.5") thickness from top to bottom. Simple and easy mounting/dismounting design.

Applicable for different brands' projectors, hole distance range is 124-404mm.

Pitch: $\pm 10^\circ$

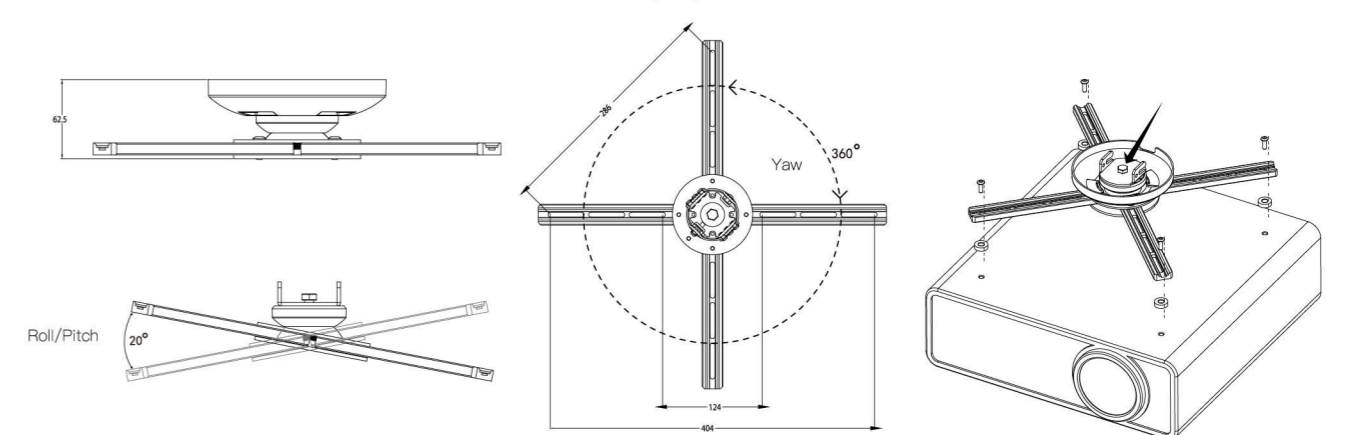
Roll: $\pm 10^\circ$

Yaw: 360°

Weight Capacity: 20kg (44lbs)

Patent No.CN206496170U **RoHS**

Hole Distance (mm)



Projector Mount S3

Extension bar – Height can be adjusted/extended according to the installation request. Maximum extension: 1182mm (46.5”). Simple and easy mounting/dismounting design.

Applicable for different brands’ projectors, holes distance range is 124–404mm.

Cables can be gathered and hidden into the extension bar.

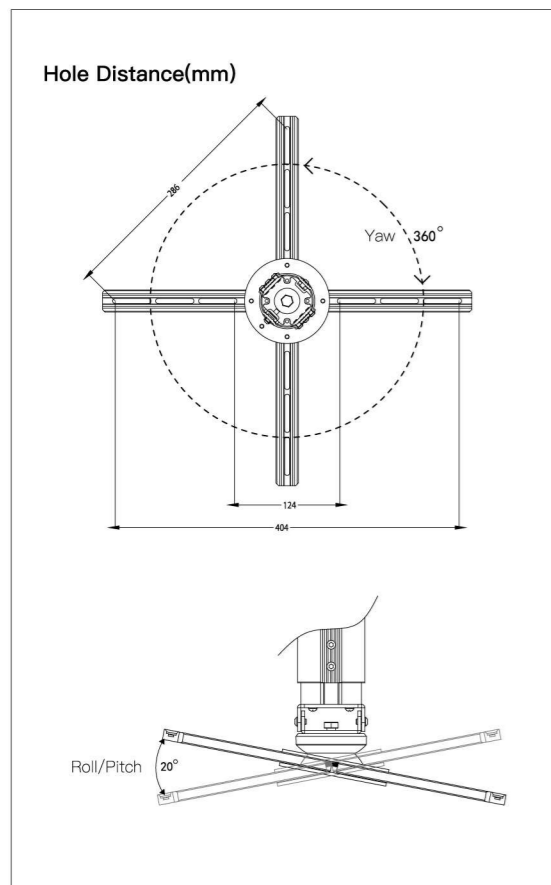
Pitch: $\pm 10^\circ$

Roll: $\pm 10^\circ$

Yaw: 360°

Weight Capacity: 20kg (44lbs)

Patent No. CN206496170U **RoHS**



Specifications

Tube length(mm)	Contraction length(mm)	Extension length(mm)	Load Capacity(kg)
200	292	382	20
300	392	582	20
400	492	782	20
500	592	982	20
600	692	1182	20

Extension Bracket EB-20/30/50/75

To install the projection screen on the wall which is existing other display devices (such as LCDTV) and if the distance between the wall and the screen is too short to install it, an extension bracket is a best choice for such a situation.

Seemax present you a metallic extension bracket.

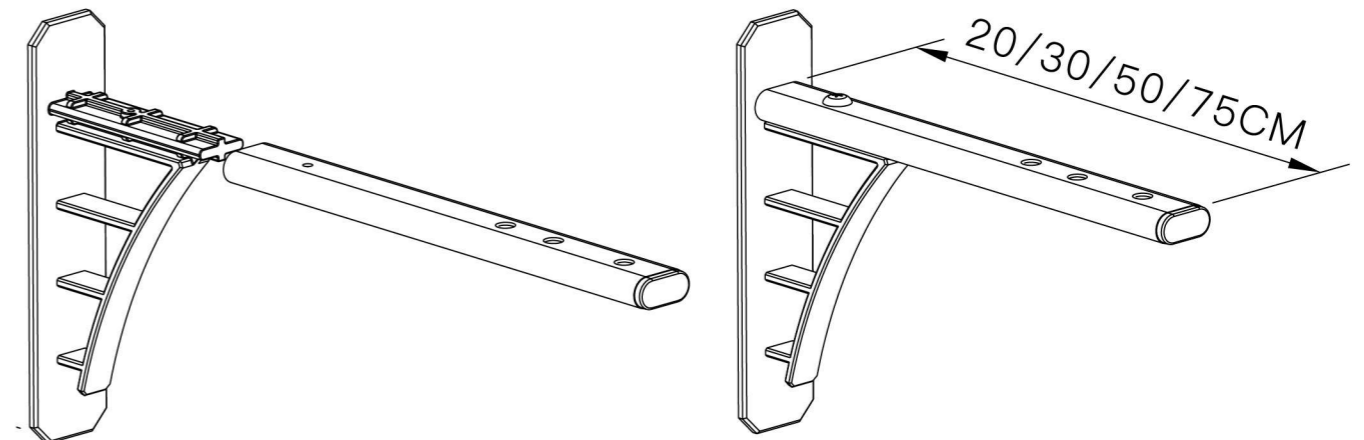
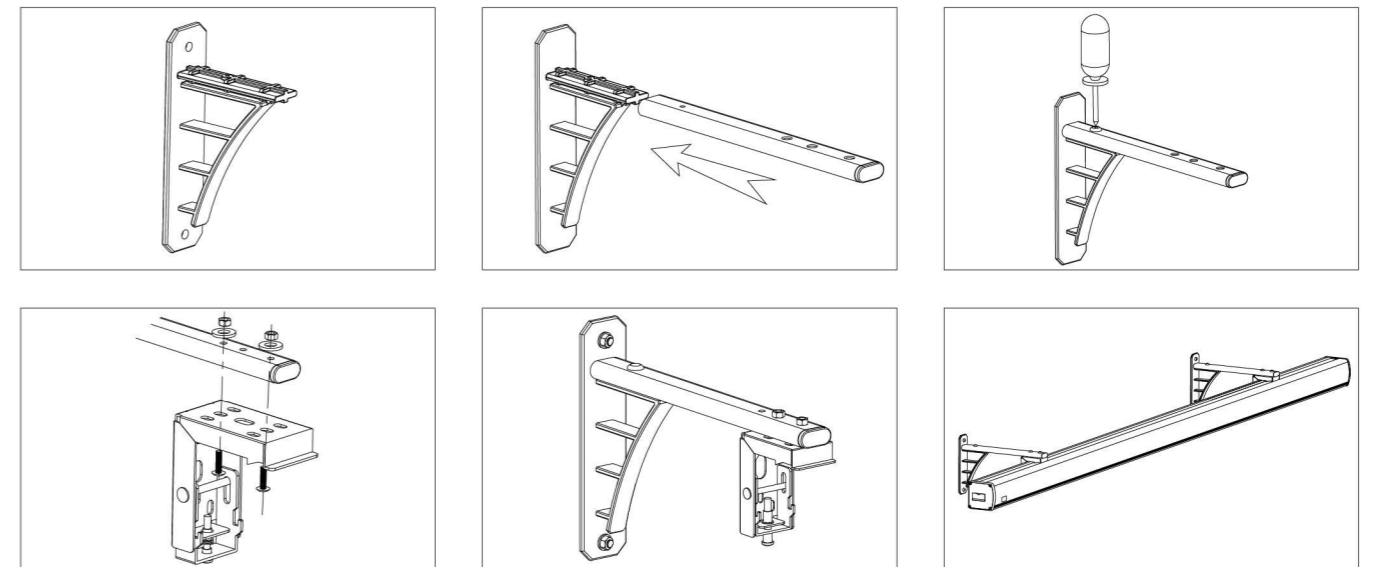
the base structure is made from the cast aluminium, beautiful and durable. Four sizes could be chosen for the extension arm.

It can match up with all the Seemax projection screens within 4-meter wide.

Easy assembly and installation.



RoHS



Heavy-duty S4

Projector Mount

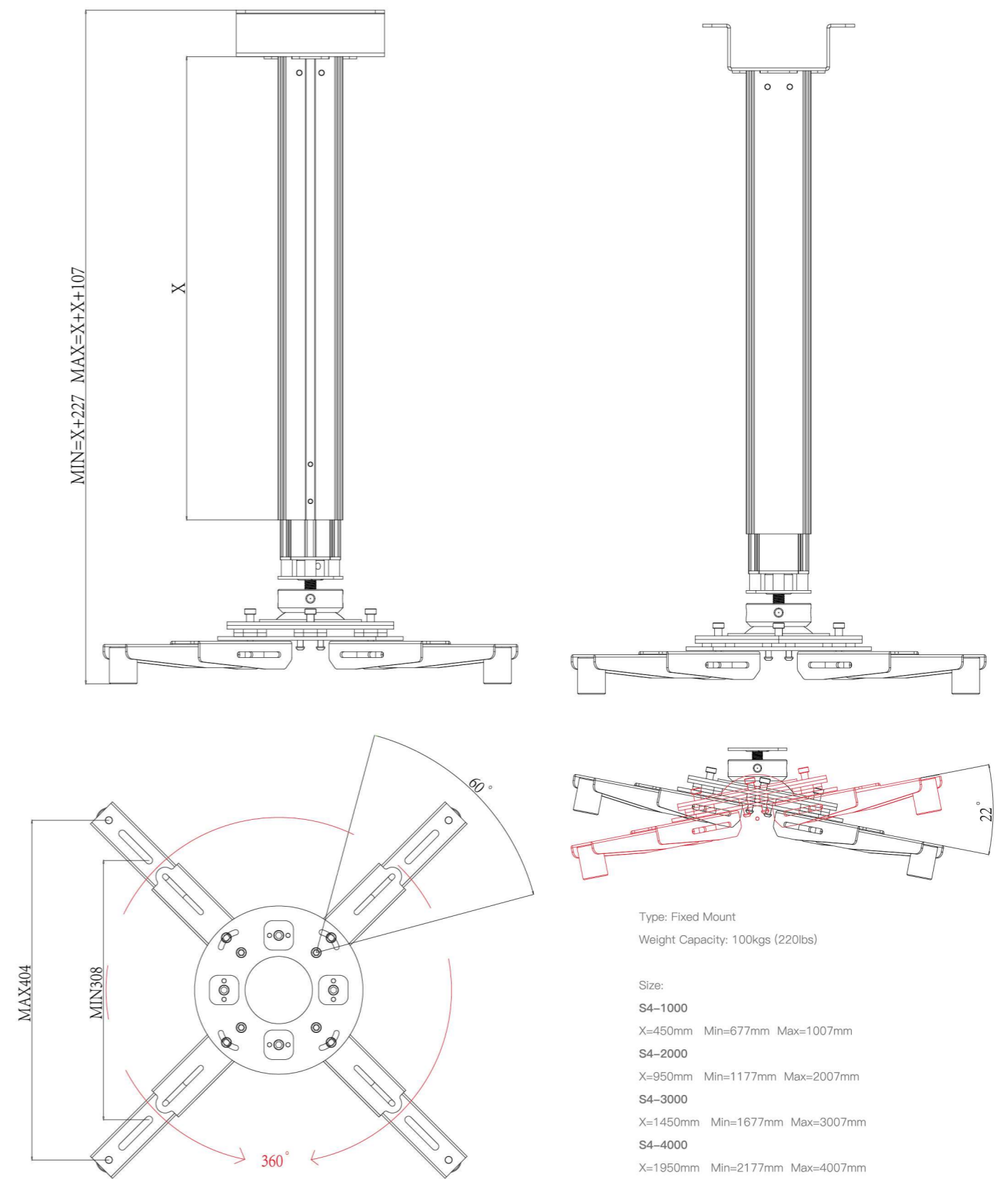


Easy Installation Precise Adjustment Hanging Claw

Model: S4-1000/2000/3000/4000

The S4 provides the easy and stepless extension regulation bar within the valid length range, precise angel regulation mechanism and extensible claws in order to accommodate the installation requirement and different heavy-duty projectors.

Pitch: $\pm 11^\circ$ Roll: $\pm 11^\circ$ Yaw: 360° Weight Capacity: 100kgs (220lbs) **RoHS**



Type: Fixed Mount
 Weight Capacity: 100kgs (220lbs)

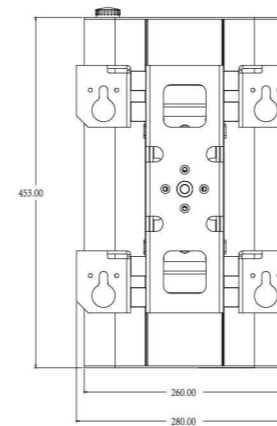
Size:

- S4-1000
 X=450mm Min=677mm Max=1007mm
- S4-2000
 X=950mm Min=1177mm Max=2007mm
- S4-3000
 X=1450mm Min=1677mm Max=3007mm
- S4-4000
 X=1950mm Min=2177mm Max=4007mm

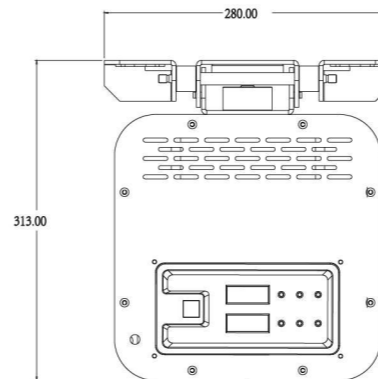
Motorized Rigging Hoists



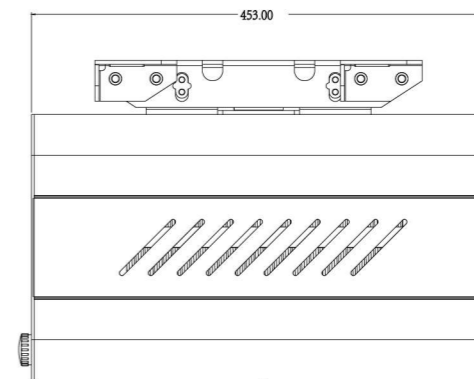
Top view



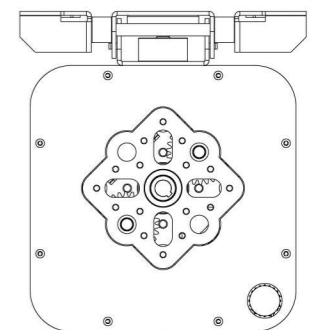
Side view



Front view



Side view



Motorized Rigging Hoists

Seemax multifunctional motorized rigging hoists system, which is designed specially for theatrical stage, hotel banquet hall, large shopping mall. The applications include: various lights in temporary suspension of AV equipment, shopping mall, the display of logo & banner of special activity and the temporary suspension of computer light or imaging light etc.

Maximum traveling distance is around 15 meter, easy installation, dismantling and replacing of lifting equipment.

Traveling distance : around 15 meter, multiple-unit linkage is applicable.

Max capacity: ≤ 250KG

Average speed : 3000mm/min

Net weight : 45 KG

Control : RS232/485

Optional : IP Protocol control stage or lifting equipment.